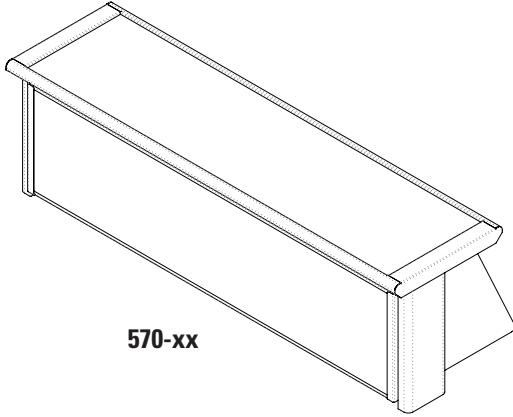




Your Solutions Partner

# Specifications

F.O.B Sedalia, Missouri 65301



570-xx

### OPTIONS:

- Fluorescent light
- Radiant heat rod w/incandescent light - 120V (steel shelf only)
- Radiant heat rod w/switch (steel shelf only)
- Special lengths or heights
- Special finish colors

### Agency Listings:



**DUKE MANUFACTURING CO.**  
 2305 N. Broadway  
 St. Louis, MO 63102

**800.735.3853 Toll Free**  
**314.231.5074 Fax**  
**www.dukemfg.com**

### Approval Stamp(s):

#### PRODUCT INFORMATION:

PROJECT: \_\_\_\_\_

ITEM: \_\_\_\_\_

QUANTITY: \_\_\_\_\_

**MODEL:** Foodshield - Designer Series - Full Service  
 Fits: Thurmaduke Steamtable, Aeroserv, Thurmaduke Serving Systems

- TS570-32
- TS570-46
- TS570-60                      Full Service Style - Glass Top
- TS570-74
- TS570-88

#### TOP SHELF:

- 1/4" tempered glass shelf
- 18 gauge stainless steel or paint steel frame
- Choice of (12) powder coat paint colors (must choose one):

- |                                                     |                                                    |
|-----------------------------------------------------|----------------------------------------------------|
| <input type="checkbox"/> #217105 - Bright White     | <input type="checkbox"/> #217103 - Natural Almond  |
| <input type="checkbox"/> #217150 - Orange           | <input type="checkbox"/> #217154 - Racing Red      |
| <input type="checkbox"/> #217107 - Hollyberry Red   | <input type="checkbox"/> #217120 - Sky Blue        |
| <input type="checkbox"/> #217127 - Fence Green      | <input type="checkbox"/> #217152 - Stone Gray      |
| <input type="checkbox"/> #217102 - Silver Hammer    | <input type="checkbox"/> #217113 - Brown Kickplate |
| <input type="checkbox"/> #217101 - Semi-Gloss Black | <input type="checkbox"/> #217125 - Textured Black  |

#### ENDS:

- 18 gauge stainless steel or choice of 12 powder coat colors

#### GUARDS:

- Adjustable 1/4" tempered glass food shield
- Stainless steel edge trim
- Clear acrylic enclosures both ends

#### SIZES:

- All units available in following lengths  
 31-3/4", 45-3/4", 59-3/4", 73-3/4", 87-3/4"

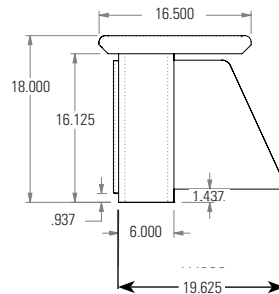
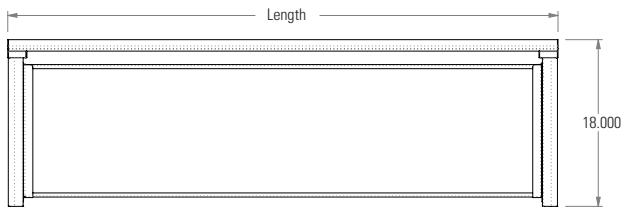
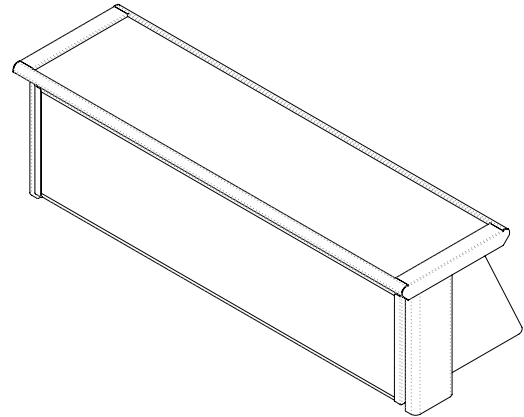
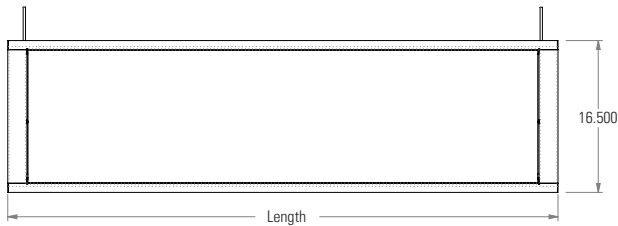
#### SHORT FORM SPECIFICATIONS:

**Foodshield - TS570-xx** - Service Style with glass top, front glass, stainless or painted end panels.

**NSF Updates:** (1) Made end guard deeper.

**FOODSHIELD - DESIGNER SERIES**

- TS570-32
- TS570-46
- TS570-60 Full Service Style - Glass Top
- TS570-74
- TS570-88



**DIMENSIONS:**

Full Service Style, w/stainless steel or painted top, painted or stainless end panels Freight Class: 125

Model	Length		Height		Width		Weight		Cube ft. Crated
	in	cm	in.	cm	in.	cm	lbs.	kg	
<b>TS570-32</b>	32	81.3	18	45.7	19.625	49.8	58	26.4	9.4
<b>TS570-46</b>	46	116.8	18	45.7	19.625	49.8	78	35.5	13.3
<b>TS570-60</b>	60	152.4	18	45.7	19.625	49.8	108	49.1	16.2
<b>TS570-74</b>	74	188.0	18	45.7	19.625	49.8	128	58.2	19.7
<b>TS570-88</b>	88	223.5	18	45.7	19.625	49.8	148	67.3	23.1



**DUKE MANUFACTURING CO.**

2305 N. Broadway  
St. Louis, MO 63102

800.735.3853 Toll Free  
314.231.1130 In Missouri  
314.231.5074 Fax  
www.dukemfg.com

Specification subject to change