



Your Solutions Partner

Specifications

F.O.B Sedalia, Missouri 65301



540-xx

OPTIONS:

- Fluorescent light
- Radiant heat rod w/incandescent light - 120V
- Radiant heat rod w/switch
- Special lengths or heights
- Special finish colors

Agency Listings:



DUKE MANUFACTURING CO.
 2305 N. Broadway
 St. Louis, MO 63102

800.735.3853 Toll Free
314.231.5074 Fax
www.dukemfg.com

Approval Stamp(s):

PRODUCT INFORMATION:

PROJECT: _____

ITEM: _____

QUANTITY: _____

MODEL: Foodshield - Designer Series - Self Serve

Fits: Thurmaduke Steamtable, Aeroserv, Thurmaduke Serving Systems

- TS540-32
- TS540-46
- TS540-60 Self Service Style - Stainless Steel Top
- TS540-74
- TS540-88

TOP:

- All edges flanged down
- 18 gauge stainless steel or paint grip steel
- Choice of (12) powder coat paint colors (must choose one):

- | | |
|---|--|
| <input type="checkbox"/> #217105 - Bright White | <input type="checkbox"/> #217103 - Natural Almond |
| <input type="checkbox"/> #217150 - Orange | <input type="checkbox"/> #217154 - Racing Red |
| <input type="checkbox"/> #217107 - Hollyberry Red | <input type="checkbox"/> #217120 - Sky Blue |
| <input type="checkbox"/> #217127 - Fence Green | <input type="checkbox"/> #217152 - Stone Gray |
| <input type="checkbox"/> #217102 - Silver Hammer | <input type="checkbox"/> #217113 - Brown Kickplate |
| <input type="checkbox"/> #217101 - Semi-Gloss Black | <input type="checkbox"/> #217125 - Textured Black |

FRAMES:

- 18 gauge stainless steel or choice of 12 powder coat colors

GUARDS:

- Adjustable 1/4" tempered glass food shield

SIZES:

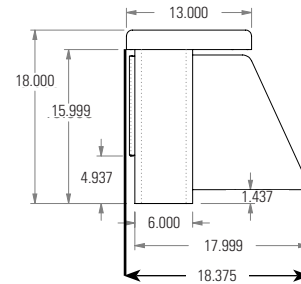
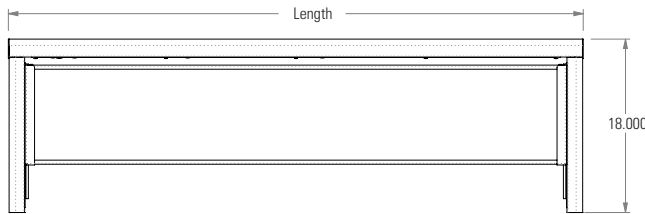
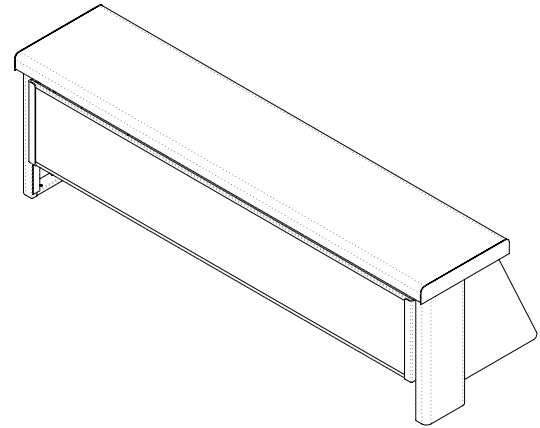
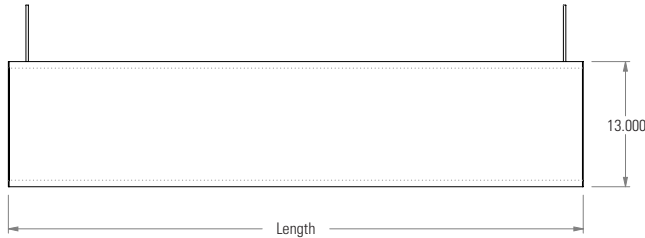
- All units available in following lengths
 31-3/4", 45-3/4", 59-3/4", 73-3/4", 87-3/4"

SHORT FORM SPECIFICATIONS:

FOODSHIELD - TS540-xx - Self Service style with stainless steel or painted top and end panels. 10.375" glass front, positive stop guard
NSF Updates: (1) Added new side shield to guard (2) Made end guard deeper and added another hole for stability.

FOODSHIELD - DESIGNER SERIES

- TS540-32
- TS540-46
- TS540-60 Self Service Style - Stainless Steel Top
- TS540-74
- TS540-88



DIMENSIONS:

Self-Service Style, w/stainless steel for painted top, stainless steel or painted end panels. Freight Class: 150

Model	Length		Height		Width		Weight		Cube ft. Crated
	in	cm	in.	cm	in.	cm	lbs.	kg	
TS540-32	32	81.3	18	45.7	18.375	33.0	25	11.4	8.3
TS540-46	46	116.8	18	45.7	18.375	33.0	31	14.1	11.4
TS540-60	60	152.4	18	45.7	18.375	33.0	36	16.4	14.5
TS540-74	74	188.0	18	45.7	18.375	33.0	40	18.2	17.5
TS540-88	88	223.5	18	45.7	18.375	33.0	44	20.0	20.6



DUKE MANUFACTURING CO.

2305 N. Broadway
St. Louis, MO 63102

800.735.3853 Toll Free
314.231.1130 In Missouri
314.231.5074 Fax
www.dukemfg.com

Specification subject to change