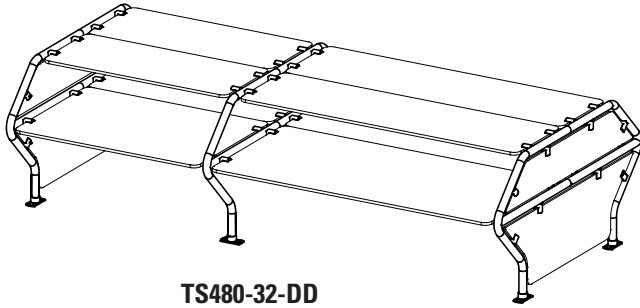




Your Solutions Partner

Specifications

F.O.B Sedalia, Missouri 65301



TS480-32-DD

OPTIONS:

- Special length
- Special height
- Acrylic in lieu of glass
- Special paint color
- Frosted glass
- LED lights
- Quartz heater

Agency Listings:



DUKE MANUFACTURING CO.
 2305 N. Broadway
 St. Louis, MO 63102

800.735.3853 Toll Free
 314.231.5074 Fax
 www.dukemfg.com

Approval Stamp(s):

PRODUCT INFORMATION:

PROJECT: _____

ITEM: _____

QUANTITY: _____

MODEL: Foodshield - Self Serve Double Shelf - 2 sides
 Fits: Thurmaduke, Insignia, Expressions Serving Systems

- TS480-32-DD
 - TS480-46-DD
 - TS480-60-DD
 - TS480-74-DD
 - TS480-88-DD
- Double shelf & guard both side

TOP SHELF:

- 1/4" or 3/8" tempered glass
- Polished edges & rounded corners

FRAMES:

- 1" dia. stainless steel or painted steel tube posts
- Choice of (12) powder coat paint colors:

| | |
|---|--|
| <input type="checkbox"/> #217105 - Bright White | <input type="checkbox"/> #217103 - Natural Almond |
| <input type="checkbox"/> #217150 - Orange | <input type="checkbox"/> #217154 - Racing Red |
| <input type="checkbox"/> #217107 - Hollyberry Red | <input type="checkbox"/> #217120 - Sky Blue |
| <input type="checkbox"/> #217127 - Fence Green | <input type="checkbox"/> #217152 - Stone Gray |
| <input type="checkbox"/> #217102 - Silver Hammer | <input type="checkbox"/> #217113 - Brown Kickplate |
| <input type="checkbox"/> #217101 - Semi-Gloss Black | <input type="checkbox"/> #217125 - Textured Black |

GUARDS:

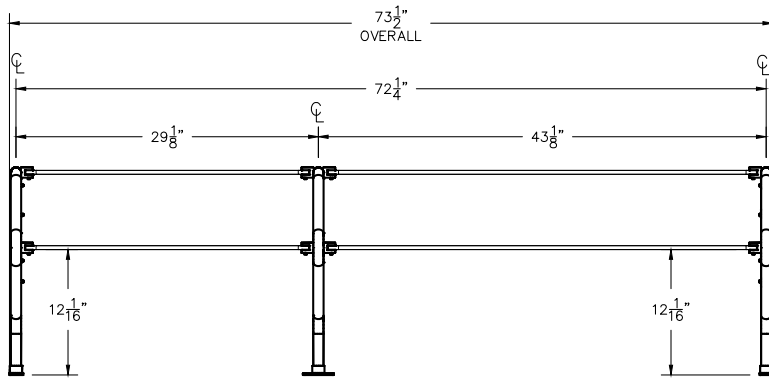
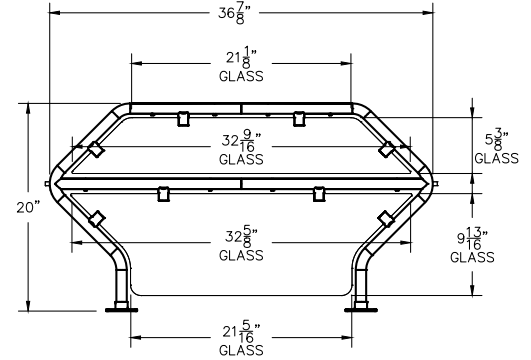
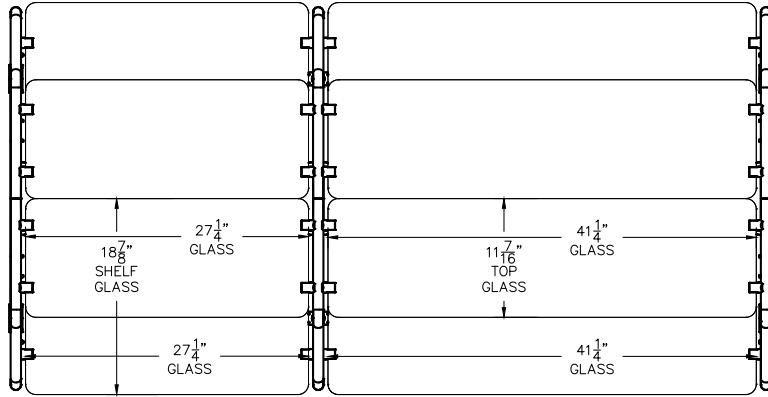
- 1/4" or 3/8" tempered clear glass with polished edges and rounded corners
- Tempered glass enclosures both ends

SIZES:

- All units available in following lengths
 31-1/4", 45-1/4", 59-1/4", 73-1/4", 87-1/4"

FOODSHIELD - CONTEMPORARY SERIES

- TS480-32-DD
 - TS480-46-DD
 - TS480-60-DD
 - TS480-74-DD
 - TS480-88-DD
- Double shelf & guard both side



NOTE: END GLASS IS 1/4" THICK
 1/4" GLASS (MAX SPAN 40")
 3/8" GLASS (MAX SPAN 60")

DIMENSIONS:

Freight Class: 150

| Model | Length | | Height | | Width | | Weight | | Cube ft. Crated |
|-------------|--------|-------|--------|------|-------|------|--------|------|--------------------|
| | in | cm | in. | cm | in. | cm | lbs. | kg | |
| TS480-32-DD | 32 | 81.3 | 20 | 50.8 | 36.8 | 93.5 | 60 | 27.2 | 28 |
| TS480-46-DD | 46 | 116.8 | 20 | 50.8 | 36.8 | 93.5 | 75 | 34.0 | 35 |
| TS480-60-DD | 60 | 152.4 | 20 | 50.8 | 36.8 | 93.5 | 90 | 40.8 | 41 |
| TS480-74-DD | 74 | 188.0 | 20 | 50.8 | 36.8 | 93.5 | 110 | 49.9 | 51 |
| TS480-88-DD | 88 | 223.5 | 20 | 50.8 | 36.8 | 93.5 | 135 | 61.2 | 62 |



DUKE MANUFACTURING CO.

2305 N. Broadway
 St. Louis, MO 63102

800.735.3853 Toll Free
 314.231.1130 In Missouri
 314.231.5074 Fax
www.dukemfg.com

Specification subject to change