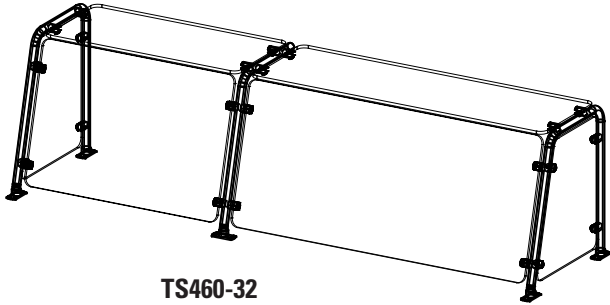




Your Solutions Partner

Specifications

F.O.B Sedalia, Missouri 65301



TS460-32

OPTIONS:

- Acrylic in lieu of glass
- LED lights
- Special paint colors
- Frosted Glass
- Quartz heater
- Special lengths or heights

Approval Stamp(s):

PRODUCT INFORMATION:

PROJECT: _____

ITEM: _____

QUANTITY: _____

MODEL: Foodshield - Contemporary Series

Fits: Thurmaduke, Insignia, Expressions Serving Systems

- TS460-32
 - TS460-46
 - TS460-60
 - TS460-74
 - TS460-88
- Single shelf - fixed glass, sloped guard 20" high

TOP SHELF:

- 1/4" or 3/8" tempered glass
- Polished edges & rounded corners
- Choice of (12) powder coat paint colors:

FRAMES:

- 1" dia. stainless steel or painted steel tube posts
- | | |
|---|--|
| <input type="checkbox"/> #217105 - Bright White | <input type="checkbox"/> #217103 - Natural Almond |
| <input type="checkbox"/> #217150 - Orange | <input type="checkbox"/> #217154 - Racing Red |
| <input type="checkbox"/> #217107 - Hollyberry Red | <input type="checkbox"/> #217120 - Sky Blue |
| <input type="checkbox"/> #217127 - Fence Green | <input type="checkbox"/> #217152 - Stone Gray |
| <input type="checkbox"/> #217102 - Silver Hammer | <input type="checkbox"/> #217113 - Brown Kickplate |
| <input type="checkbox"/> #217101 - Semi-Gloss Black | <input type="checkbox"/> #217125 - Textured Black |

GUARDS:

- 1/4" or 3/8" tempered clear glass with polished edges and rounded corners
- Tempered glass enclosures both ends

SIZES:

- All units available in following lengths
31-1/4", 45-1/4", 59-1/4", 73-1/4", 87-1/4"

Agency Listings:



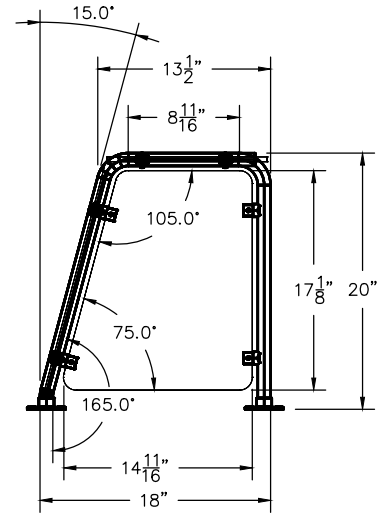
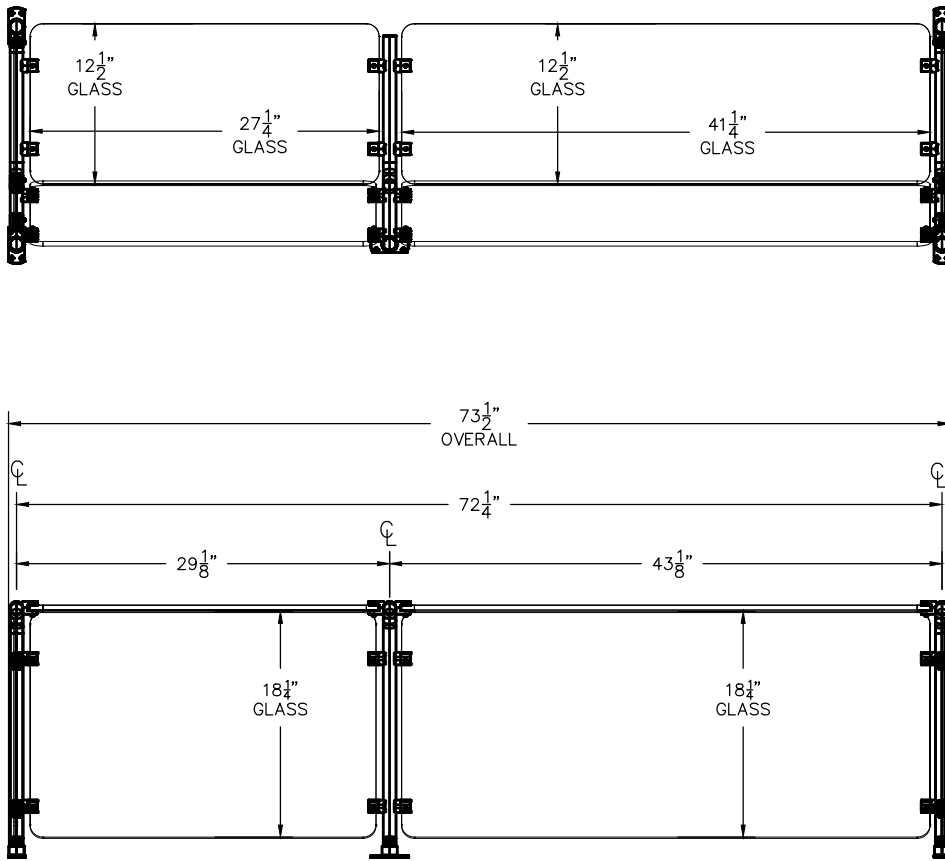
DUKE MANUFACTURING CO.
 2305 N. Broadway
 St. Louis, MO 63102

800.735.3853 Toll Free
 314.231.5074 Fax
 www.dukemfg.com

FOODSHIELD - CONTEMPORARY SERIES

- TS460-32
- TS460-46
- TS460-60
- TS460-74
- TS460-88

Single shelf & fixed glass, sloped guard 20" high



NOTE: END GLASS IS 1/4" THICK
 1/4" GLASS (MAX SPAN 40")
 3/8" GLASS (MAX SPAN 60")

DIMENSIONS:

Freight Class: 150

Model	Length		Height		Width		Weight		Cube ft. Crated
	in	cm	in.	cm	in.	cm	lbs.	kg	
TS460-32	31-1/4	79.4	20	50.8	18	46	40	18.1	18
TS460-46	45-1/4	114.9	20	50.8	18	46	48	21.8	21
TS460-60	59-1/4	150.4	20	50.8	18	46	68	30.8	31
TS460-74	73-1/4	186.1	20	50.8	18	46	98	44.5	45
TS460-88	87-1/4	221.6	20	50.8	18	46	118	53.5	54

DUKE MANUFACTURING CO.

2305 N. Broadway
 St. Louis, MO 63102

800.735.3853 Toll Free
 800.231.1130 In Missouri
 314.231.5074 Fax
 www.dukemfg.com



Specification subject to change