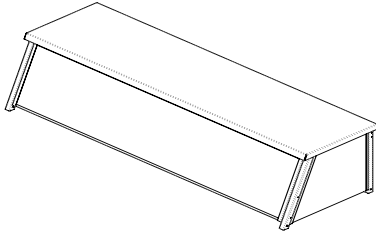




Your Solutions Partner

# Specifications

F.O.B Sedalia, Missouri 65301



TS-454-32

### OPTIONS:

- Full length Fluorescent light
- Heat lamps
- Heat lamps with incandescent lights
- Special lengths
- Powder coat painted frames & shelf

**Approval Stamp(s):**

### PRODUCT INFORMATION:

PROJECT: \_\_\_\_\_

ITEM: \_\_\_\_\_

QUANTITY: \_\_\_\_\_

**MODEL:** Foodshield - Serving Shelf

Fits: Thurmaduke Steamtable, Heritage, Buffet, AeroServ, Thurmaduke and Expressions Serving Systems

- TS-454-32
- TS-454-46                      Traditional Serving Shelf/Protector guard and shelf
- TS-454-60
- TS-454-74
- TS-454-88

### TOP SHELF:

- 14 gauge stainless steel

### FRAMES:

- 1" square stainless steel tubing

### GUARDS:

- Flip-down 1/4" thick tempered glass with stainless steel trim
- Full service style
- Clear acrylic enclosures both ends

### SIZES:

- All units available in following lengths  
31", 45", 59", 73", 87"

### Agency Listings:



**DUKE MANUFACTURING CO.**  
**2305 N. Broadway**  
**St. Louis, MO 63102**

**800.735.3853 Toll Free**  
**314.231.5074 Fax**  
**www.dukemfg.com**

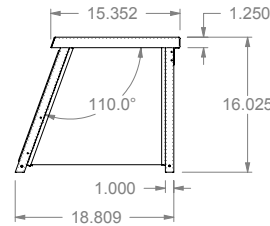
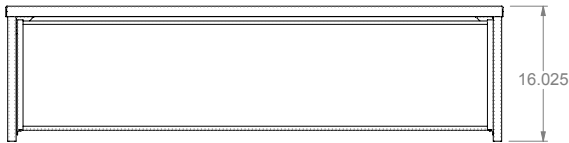
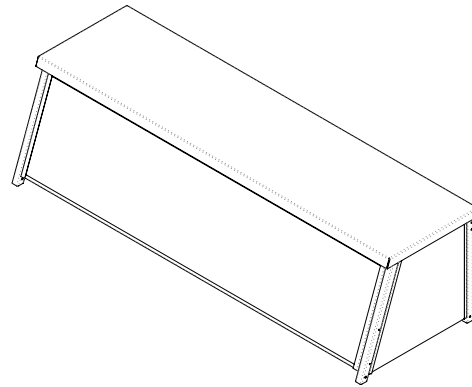
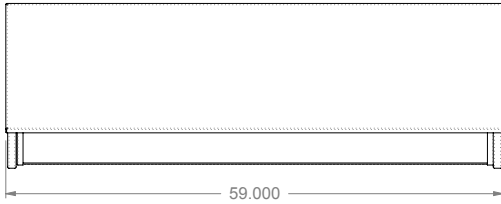
### SHORT FORM SPECIFICATIONS:

**Foodshield - TS-454 Series Traditional Shelf:** Constructed of 1" square stainless steel tubing uprights. Top shelf constructed of 14 gauge stainless steel and straight turndowns on all sides. Food shield to flip-out for cleaning and constructed of 1/4" thick glass with stainless steel edging. Fluorescent lights, heat lamps and heat lamps with incandescent lights are available.

**NSF Updates:** (1) Made shelf deeper

**FOODSHIELD - PROTECTOR GUARD**

- TS-454-32
- TS-454-46
- TS-454-60 Traditional Serving Shelf
- TS-454-74
- TS-454-88



DIMENSIONS:  
Traditional Serving Shelves

Freight Class: 125

Model	Length		Height		Width		Weight		Cube ft. Crated	Fluorescent Light		Heat Lamps		Heat Lamps with Incandescent Lights	
	in.	cm	in.	cm	in.	cm	lbs.	kg		120V / 1 Phase		120V / 1 Phase		120V / 1 Phase	
										Watts	Amps	Watts	Amps	Watts	Amps
TS-454-32	31	79	16	40	15.35	39	32	14.6	6.7	15	0.13	250	2.08	370	3.08
TS-454-46	45	114	16	40	15.35	39	40	18.2	9.3	15	0.13	575	4.79	755	6.29
TS-454-60	59	150	16	40	15.35	39	50	22.7	11.9	30	0.25	800	6.67	1040	8.67
TS-454-74	73	185	16	40	15.35	39	58	26.4	14.5	30	0.25	900	7.50	1140	9.50
TS-454-88	87	221	16	40	15.35	39	67	30.5	17.1	30	0.25	1150	9.58	1510	12.58



**DUKE MANUFACTURING CO.**

2305 N. Broadway  
St. Louis, MO 63102

800.735.3853 Toll Free  
314.231.1130 In Missouri  
314.231.5074 Fax  
www.dukemfg.com

Specification subject to change