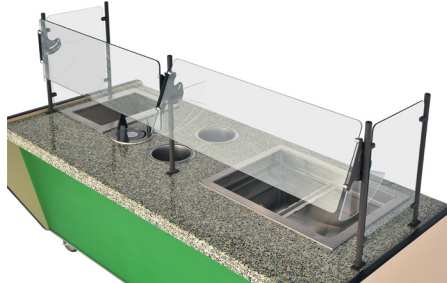




Your Solutions Partner

# Specifications

F.O.B Sedalia, Missouri 65301



TS411

### OPTIONS:

- Special length
- Special Height
- Acrylic in lieu of glass
- Special paint colors
- Frosted glass

**Approval Stamp(s):**

### PRODUCT INFORMATION:

PROJECT: \_\_\_\_\_

ITEM: \_\_\_\_\_

QUANTITY: \_\_\_\_\_

**MODEL:** Foodshield - Contemporary Series

Fits: Thurmaduke, Insignia, Expressions Serving Systems

- TS411-32
- TS411-46
- TS411-60 Adjustable glass guard 24" high
- TS411-74
- TS411-88

### POSTS:

- 1" dia. stainless steel or painted steel tube
- Choice of (12) powder coat paint colors:
 

<input type="checkbox"/> #217105 - Bright White	<input type="checkbox"/> #217103 - Natural Almond
<input type="checkbox"/> #217150 - Orange	<input type="checkbox"/> #217154 - Racing Red
<input type="checkbox"/> #217107 - Hollyberry Red	<input type="checkbox"/> #217120 - Sky Blue
<input type="checkbox"/> #217127 - Fence Green	<input type="checkbox"/> #217152 - Stone Gray
<input type="checkbox"/> #217102 - Silver Hammer	<input type="checkbox"/> #217113 - Brown Kickplate
<input type="checkbox"/> #217101 - Semi-Gloss Black	<input type="checkbox"/> #217125 - Textured Black

### GUARDS:

- 1/4" or 3/8" tempered clear glass with polished edges and rounded corners
- Adjustable stainless steel brackets with clear acrylic side shields
- Tempered glass enclosures both ends

### SIZES:

- All units available in following lengths  
34-1/4", 45-1/4", 59-1/4", 73-1/4", 87-1/4"

### Agency Listings:



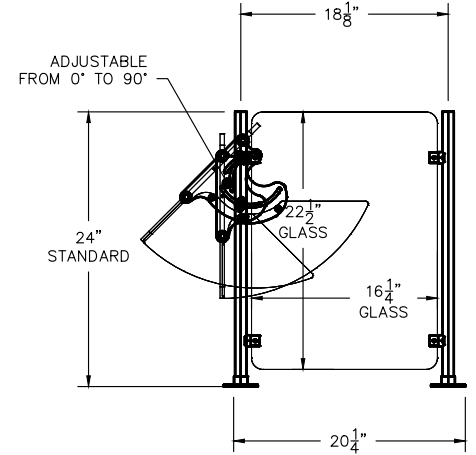
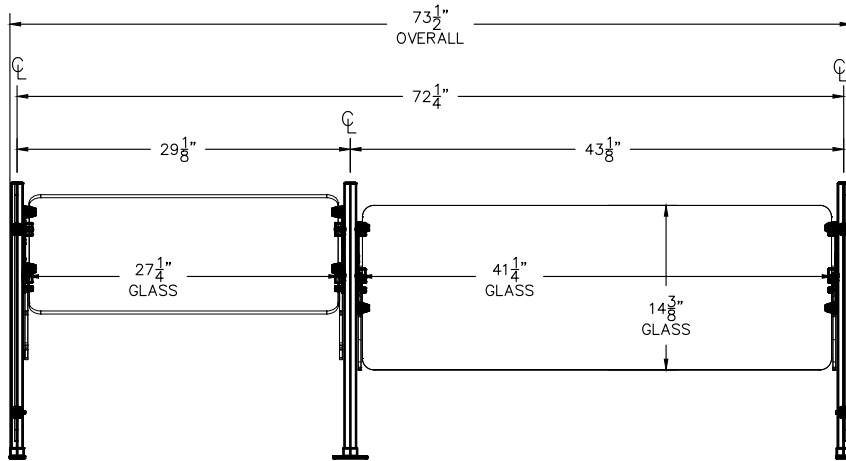
**DUKE MANUFACTURING CO.**  
 2305 N. Broadway  
 St. Louis, MO 63102

800.735.3853 Toll Free  
 314.231.5074 Fax  
 www.dukemfg.com

**FOODSHIELD - CONTEMPORARY SERIES**

- TS411-32
- TS411-46
- TS411-60
- TS411-74
- TS411-88

Adjustable glass guard 24" high



NOTE: END GLASS IS 1/4" THICK  
 1/4" GLASS (MAX SPAN 40")  
 3/8" GLASS (MAX SPAN 60")

DIMENSIONS:  
 Adjustable glass guard

Freight Class: 125

Model	Length		Height		Width		Weight		Cube ft. Crated
	in	cm	in.	cm	in.	cm	lbs.	kg	
TS411-32	31-1/4	81.3	24	50.8	20	50.8	32	14.5	14
TS411-46	45-1/4	116.8	24	50.8	20	50.8	40	18.1	18
TS411-60	59-1/4	152.4	24	50.8	20	50.8	50	22.6	23
TS411-74	73-1/4	188.0	24	50.8	20	50.8	58	26.3	26
TS411-88	87-1/4	223.5	24	50.8	20	50.8	67	25.8	31



**DUKE MANUFACTURING CO.**

2305 N. Broadway  
 St. Louis, MO 63102

800.735.3853 Toll Free  
 800.231.1130 In Missouri  
 314.231.5074 Fax  
 www.dukemfg.com

Specification subject to change