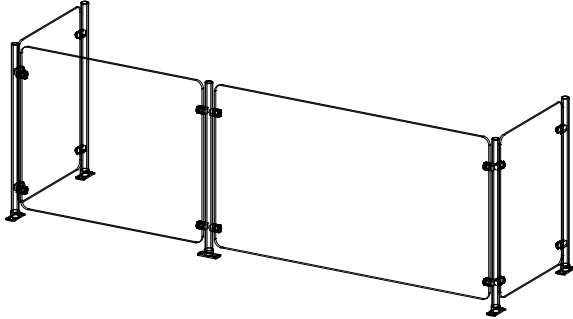




Your Solutions Partner

Specifications

F.O.B Sedalia, Missouri 65301



TS410-88

OPTIONS:

- Special length
- Special Height
- Acrylic in lieu of glass
- Special paint colors
- Frosted glass

Approval Stamp(s):

PRODUCT INFORMATION:

PROJECT: _____

ITEM: _____

QUANTITY: _____

MODEL: Foodshield - Contemporary Series

Fits: Thurmaduke, Insignia, Expressions Serving Systems

- TS410-32
- TS410-46
- TS410-60
- TS410-74
- TS410-88

Vertical glass guard 24" high

POSTS:

- 1" dia. stainless steel or paint steel tube
- Choice of (12) powder coat paint colors:

- | | |
|---|--|
| <input type="checkbox"/> #217105 - Bright White | <input type="checkbox"/> #217103 - Natural Almond |
| <input type="checkbox"/> #217150 - Orange | <input type="checkbox"/> #217154 - Racing Red |
| <input type="checkbox"/> #217107 - Hollyberry Red | <input type="checkbox"/> #217120 - Sky Blue |
| <input type="checkbox"/> #217127 - Fence Green | <input type="checkbox"/> #217152 - Stone Gray |
| <input type="checkbox"/> #217102 - Silver Hammer | <input type="checkbox"/> #217113 - Brown Kickplate |
| <input type="checkbox"/> #217101 - Semi-Gloss Black | <input type="checkbox"/> #217125 - Textured Black |

GUARDS:

- 1/4" or 3/8" tempered clear glass with polished edges and rounded corners
- Tempered glass enclosures both ends

SIZES:

- All units available in following lengths
32-1/4", 46-1/4", 60-1/4", 74-1/4", 88-1/4"

Agency Listings:



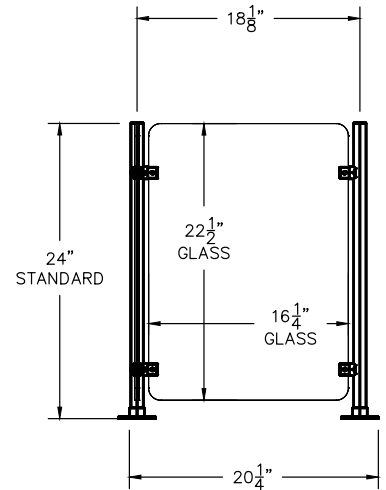
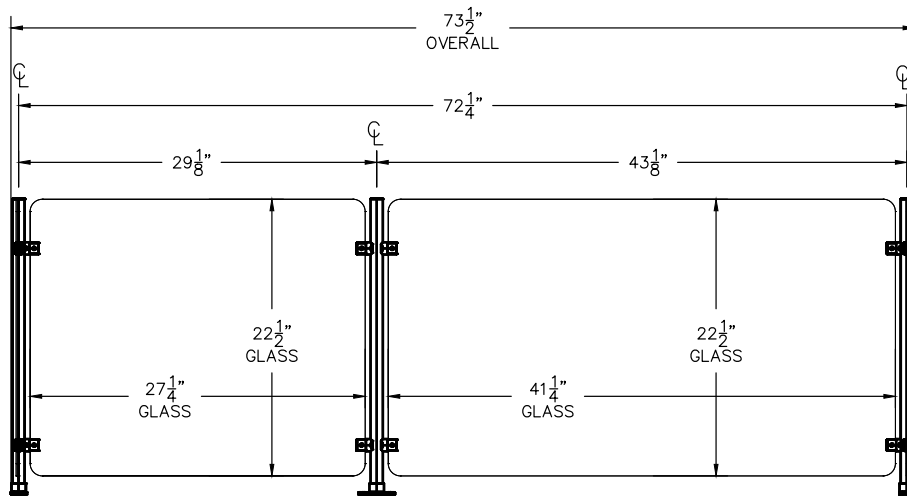
DUKE MANUFACTURING CO.
 2305 N. Broadway
 St. Louis, MO 63102

800.735.3853 Toll Free
 314.231.5074 Fax
 www.dukemfg.com

FOODSHIELD - CONTEMPORARY SERIES

- TS410-32
- TS410-46
- TS410-60
- TS410-74
- TS410-88

Vertical glass guard 24" high



TOP OF FOOD
SHIELD MUST BE
60" FROM FLOOR
(24" STANDARD ON
A 36" TALL UNIT)

NOTE: END GLASS IS 1/4" THICK
1/4" GLASS (MAX SPAN 40")
3/8" GLASS (MAX SPAN 60")

DIMENSIONS:
Vertical glass guard

Freight Class: 125

Model	Length		Height		Width		Weight		Cube ft. Crated
	in	cm	in.	cm	in.	cm	lbs.	kg	
TS410-32	31-1/4	81.3	24	50.8	20	50.8	32	14.5	14
TS410-46	45-1/4	116.8	24	50.8	20	50.8	40	18.1	18
TS410-60	59-1/4	152.4	24	50.8	20	50.8	50	22.6	23
TS410-74	73-1/4	188.0	24	50.8	20	50.8	58	26.3	26
TS410-88	87-1/4	223.5	24	50.8	20	50.8	57	25.8	31



DUKE MANUFACTURING CO.

2305 N. Broadway
St. Louis, MO 63102

800.735.3853 Toll Free
314.231.1130 In Missouri
314.231.5074 Fax
www.dukemfg.com

Specification subject to change