



Your Solutions Partner

Specifications

F.O.B Sedalia, Missouri 65301



AECY-X

OPTIONS:

- Fluorescent Lights (FL)
- Bullet-type incandescent lights (BI)
- Bullet infrared heat lamps (BL)

Agency Listings:



DUKE MANUFACTURING CO.
 2305 N. Broadway
 St. Louis, MO 63102

800.735.3853 Toll Free
314.231.5074 Fax
www.dukemfg.com

Approval Stamp(s):

PRODUCT INFORMATION:

PROJECT: _____

ITEM: _____

QUANTITY: _____

MODEL: Foodshield - Canopy

Fits: AeroHot & Thurmaduke Steamtables, Heritage, Economate, Aeroserv Serving Systems

ECM-2

ECM-3

ECM-4

AECY-5

Standard Canopy

AECY-6

AECY-7

AECY-8

FRAMES:

- 1" wide flat steel bar with black powder coat finish only
- Accent triangle bracket filler both ends in choice of powder coat finish.
- Choice of (12) powder coat paint colors (must choose one):

<input type="checkbox"/> 217105 - Bright White	<input type="checkbox"/> #217103 - Natural Almond
<input type="checkbox"/> #217150 - Orange	<input type="checkbox"/> #217154 - Racing Red
<input type="checkbox"/> #217107 - Hollyberry Red	<input type="checkbox"/> #217120 - Sky Blue
<input type="checkbox"/> #217127 - Fence Green	<input type="checkbox"/> #217152 - Stone Gray
<input type="checkbox"/> #217102 - Silver Hammer	<input type="checkbox"/> #217113 - Brown Kickplate
<input type="checkbox"/> #217101 - Semi-Gloss Black	<input type="checkbox"/> #217125 - Textured Black

GUARDS:

- Clear acrylic one piece foodshield
- Formed clear plastic meets NSF standards
- Full clear acrylic enclosure both ends

SIZES:

- All units available in following lengths
 30-3/8", 44-3/8", 58-3/8" - EconoMate Lengths
 73-7/8", 87-7/8", 101-7/8", 115-7/8" - Salad Bar Lengths

SHORT FORM SPECIFICATIONS:

Foodshield -Canopy Constructed of 1/4" acrylic canopy top. Supported by 1" wide flat steel bar brackets powder coated black painted with accent panel in your choice of color. All canopies have end enclosures. Fluorescent lights or Bullet-type incandescent/infrared lights are available.

NSF Updates: (1) Bracket length and height change (2) Added acrylic side guard

FOODSHIELD - SHELVES

ECM-2

ECM-3

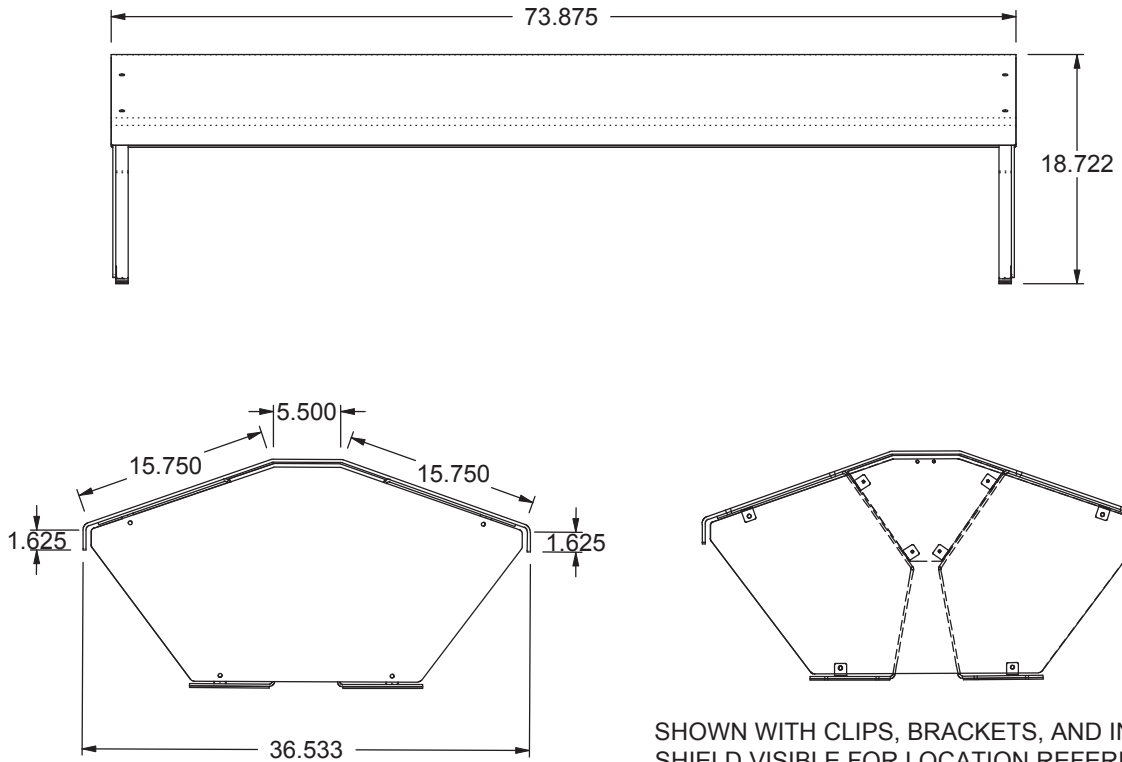
ECM-4

AECY-5 Standard Canopy

AECY-6

AECY-7

AECY-8



SHOWN WITH CLIPS, BRACKETS, AND INNER SHIELD VISIBLE FOR LOCATION REFERENCE

DIMENSIONS:
Standard Buffet Shelves

Freight Class: 65

Model	Length		Width		Height		Cube ft. Crated	Standard	
	in.	cm	in.	cm	in.	cm		lbs.	kg
AECY-2	30.875	77.15	36.5	92.71	18.7	47.5	12	24	10.9
AECY-3	44.875	112.71	36.5	92.71	18.7	47.5	17	31	14.1
AECY-4	58.875	148.27	36.5	92.71	18.7	47.5	21	40	18.2
AECY-5	73.875	187.64	36.5	92.71	18.7	47.5	27	65	28.2
AECY-6	87.875	223.20	36.5	92.71	18.7	47.5	33	72	32.1
AECY-7	101.872	258.76	36.5	92.71	18.7	47.5	36	84	38.2
AECY-8	115.875	294.32	36.5	92.71	18.7	47.5	39	97	44.1



DUKE MANUFACTURING CO.

2305 N. Broadway
St. Louis, MO 63102

800.735.3853 Toll Free
314.231.1130 In Missouri
314.231.5074 Fax
www.dukemfg.com

Specification subject to change