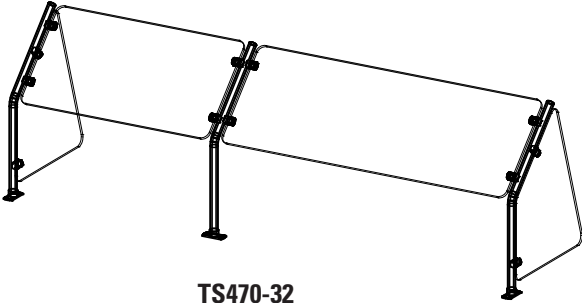




Your Solutions Partner

Specifications

F.O.B Sedalia, Missouri 65301



TS470-32

OPTIONS:

- Special length
- Special height
- Acrylic in lieu of glass
- Special paint color
- Frosted glass

Approval Stamp(s):

PRODUCT INFORMATION:

PROJECT: _____

ITEM: _____

QUANTITY: _____

MODEL: Foodshield - Contemporary Series

Fits: Thurmaduke, Insignia, Expressions Serving Systems

- TS470-32
- TS470-46
- TS470-60 Sloped glass guard, 23" high
- TS470-74
- TS470-88

FRAMES:

- 1" dia. stainless steel or painted steel tube posts
 - #217105 - Bright White
 - #217103 - Natural Almond
 - #217150 - Orange
 - #217154 - Racing Red
 - #217107 - Hollyberry Red
 - #217120 - Sky Blue
 - #217127 - Fence Green
 - #217152 - Stone Gray
 - #217102 - Silver Hammer
 - #217113 - Brown Kickplate
 - #217101 - Semi-Gloss Black
 - #217125 - Textured Black

GUARDS:

- 1/4" or 3/8" tempered clear glass with polished edges and rounded corners
- Tempered glass enclosures both ends

SIZES:

- All units available in following lengths
31-1/4", 45-1/4", 59-1/4", 73-1/4", 87-1/4"

Agency Listings:



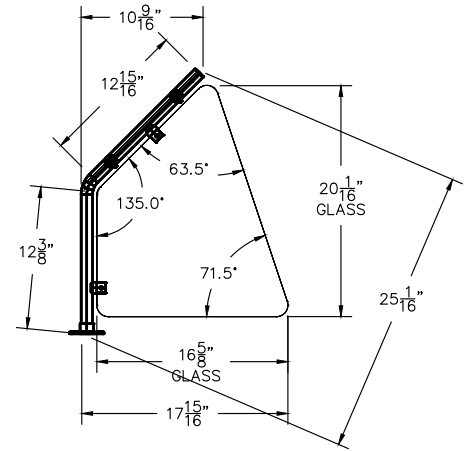
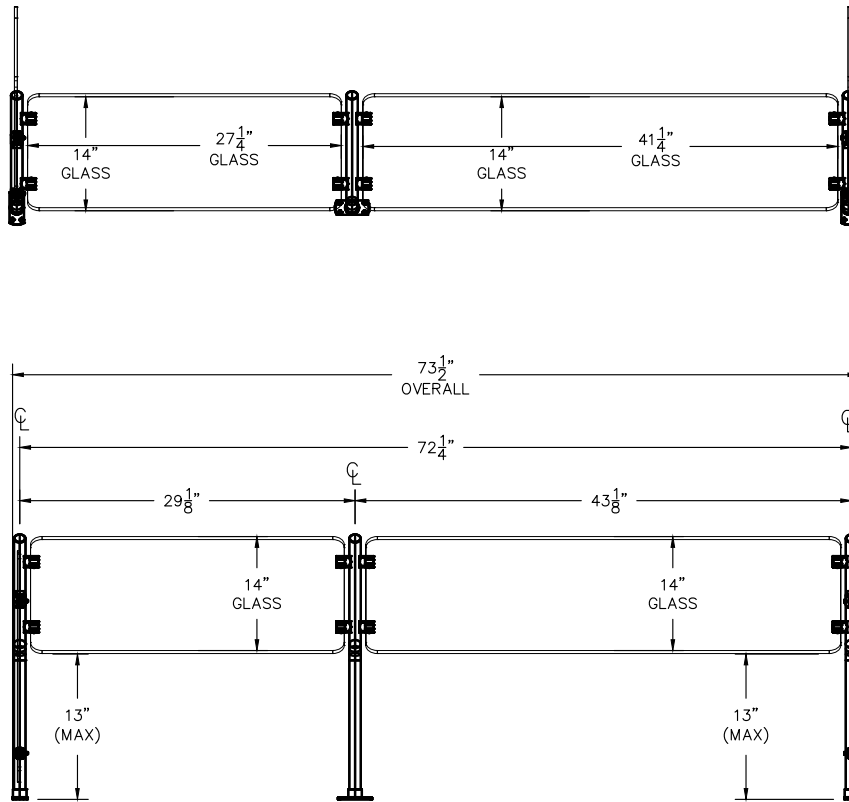
DUKE MANUFACTURING CO.
 2305 N. Broadway
 St. Louis, MO 63102

800.735.3853 Toll Free
 314.231.5074 Fax
 www.dukemfg.com

FOODSHIELD - CONTEMPORARY SERIES

- TS470-32
- TS470-46
- TS470-60
- TS470-74
- TS470-88

Sloped glass guard, 23" high



NOTE: END GLASS IS 1/4" THICK
 1/4" GLASS (MAX SPAN 40")
 3/8" GLASS (MAX SPAN 60")

DIMENSIONS:

Freight Class: 125

Model	Length		Height		Width		Weight		Cube ft. Crated
	in	cm	in.	cm	in.	cm	lbs.	kg	
TS470-32	31-1/4	79.4	23	58.4	18	45.72	32	14.5	14
TS470-46	45-1/4	114.9	23	58.4	18	45.72	40	18.1	18
TS470-60	59-1/4	150.4	23	58.4	18	45.72	50	22.7	23
TS470-74	73-1/4	186.1	23	58.4	18	45.72	58	26.3	26
TS470-88	87-1/4	221.6	23	58.4	18	45.72	67	30.4	31



DUKE MANUFACTURING CO.

2305 N. Broadway
 St. Louis, MO 63102

800.735.3853 Toll Free
 800.231.1130 In Missouri
 314.231.5074 Fax
www.dukemfg.com

Specification subject to change