



Your Solutions Partner

# Specifications

F.O.B Sedalia, Missouri 65301



TS421-xx

### OPTIONS:

- Special length
- Special height
- Acrylic in lieu of glass
- Special paint colors
- Frosted glass
- LED lights
- Quartz heater

### Agency Listings:



**DUKE MANUFACTURING CO.**  
 2305 N. Broadway  
 St. Louis, MO 63102

800.735.3853 Toll Free  
 314.231.5074 Fax  
 www.dukemfg.com

### Approval Stamp(s):

#### PRODUCT INFORMATION:

PROJECT: \_\_\_\_\_

ITEM: \_\_\_\_\_

QUANTITY: \_\_\_\_\_

#### MODEL: Foodshield - Contemporary Series

Fits: Thurmaduke, Insignia, Expressions Serving Systems

- TS421-32
  - TS421-46
  - TS421-60
  - TS421-74
  - TS421-88
- Single shelf & adjustable guard  
20" high

#### TOP SHELF:

- 1/4" or 3/8" tempered glass
- Polished edges & rounded corners

#### FRAMES:

- 1" dia. stainless steel or painted steel tube posts
- Choice of (12) powder coat paint colors:
 

<input type="checkbox"/> #217105 - Bright White	<input type="checkbox"/> #217103 - Natural Almond
<input type="checkbox"/> #217150 - Orange	<input type="checkbox"/> #217154 - Racing Red
<input type="checkbox"/> #217107 - Hollyberry Red	<input type="checkbox"/> #217120 - Sky Blue
<input type="checkbox"/> #217127 - Fence Green	<input type="checkbox"/> #217152 - Stone Gray
<input type="checkbox"/> #217102 - Silver Hammer	<input type="checkbox"/> #217113 - Brown Kickplate
<input type="checkbox"/> #217101 - Semi-Gloss Black	<input type="checkbox"/> #217125 - Textured Black

#### GUARDS:

- 1/4" or 3/8" tempered clear glass with polished edges and rounded corners
- Adjustable stainless steel brackets...
- Tempered glass enclosures....

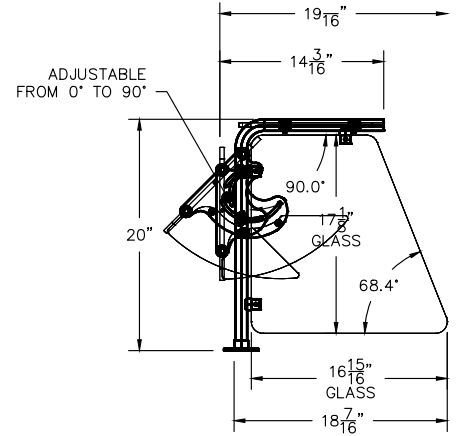
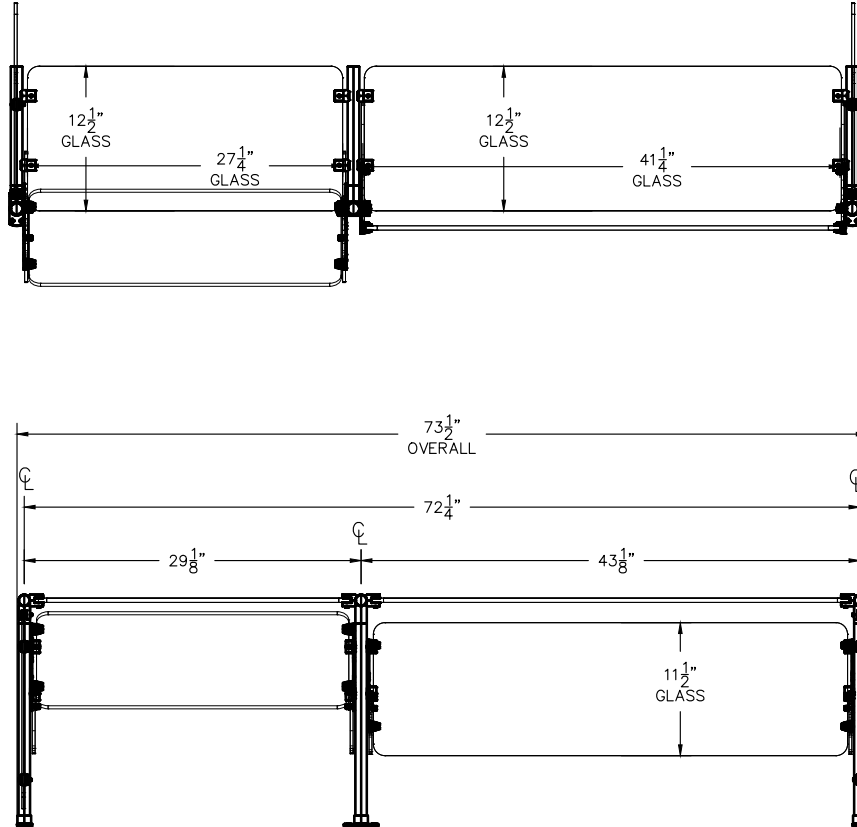
#### SIZES:

- All units available in following lengths  
 31-1/4", 45-1/46", 59-1/4", 73-1/4", 87-1/4"

**FOODSHIELD - CONTEMPORARY SERIES**

- TS421-32
- TS421-46
- TS421-60
- TS421-74
- TS421-88

Single shelf & adjustable guard  
20" high



NOTE: END GLASS IS 1/4" THICK  
1/4" GLASS (MAX SPAN 40")  
3/8" GLASS (MAX SPAN 60")

DIMENSIONS:

Freight Class: 125

Model	Length		Height		Width		Weight		Cube ft. Crated
	in	cm	in.	cm	in.	cm	lbs.	kg	
TS421-32	31-1/4	79.4	20	50.8	18.4	46.7	38	17.2	18
TS421-46	45-1/4	114.9	20	50.8	18.4	46.7	46	20.9	21
TS421-60	59-1/4	150.4	20	50.8	18.4	46.7	66	29.9	31
TS421-74	73-1/4	186.1	20	50.8	18.4	46.7	96	43.5	45
TS421-88	87-1/4	221.6	20	50.8	18.4	46.7	116	52.6	54

**DUKE MANUFACTURING CO.**

2305 N. Broadway  
St. Louis, MO 63102

800.735.3853 Toll Free  
314.231.1130 In Missouri  
314.231.5074 Fax  
www.dukemfg.com



Specification subject to change

02/11  
Printed in U.S.A  
© 2011, Duke Manufacturing Co.