



# Specifications

F.O.B Sedalia, Missouri 65301



DPAH-2-BC

### OPTIONS:

- Incandescent bullet lights - BI
- Legs in lieu of casters

### AGENCY LISTINGS:



**DUKE MANUFACTURING CO.**  
 2305 N. Broadway  
 St. Louis, MO 63102

800.735.3853 Toll Free  
 314.231.5074 Fax  
 www.dukemfg.com

### Approval Stamp(s):

### PRODUCT INFORMATION:

PROJECT: \_\_\_\_\_

ITEM: \_\_\_\_\_

QUANTITY: \_\_\_\_\_

MODEL:

### EconoMate™ Buffet Units

#### Solid Top

- |                                    |                                       |
|------------------------------------|---------------------------------------|
| <input type="checkbox"/> DPAH-2-BC | Portable Beef Cart Unit - Closed Base |
| <input type="checkbox"/> OPAH-2-BC | Portable Beef Cart Unit - Open Base   |
| <input type="checkbox"/> TAH-2-BC  | Table Top Beef Cart Unit              |

#### BODY:

- Heavy gauge paint grip steel
- Choice of (12) powder coat paint colors (must choose one)
 

<input type="checkbox"/> #217105 - Bright White	<input type="checkbox"/> #217103 - Natural Almond
<input type="checkbox"/> #217150 - Orange Red	<input type="checkbox"/> #217154 - Racing Red
<input type="checkbox"/> #217107 - Hollyberry Red	<input type="checkbox"/> #217120 - Sky Blue
<input type="checkbox"/> #217127 - Fence Green	<input type="checkbox"/> #217152 - Stone Gray
<input type="checkbox"/> #217102 - Duke Silver	<input type="checkbox"/> #217113 - Brown Kickplate
<input type="checkbox"/> #217101 - Semi Gloss Black	<input type="checkbox"/> #217125 - Textured Black
- Clear plexiglass canopy, with black powder coat steel brackets, powder coat steel ends to match body

#### TOP:

- Heavy gauge, 300 Series stainless steel top
- Carving board, removable au jus pan, meat spike
- Perforated stainless steel removable platform
- (2) aluminum spillage pans
- (2) insulated, 8" deep, heat compartments
- Infinite switch controls with exposed electric element

#### BASES:

- Choice of
  - Open base - O
  - Closed base - D
  - Table top - T
- 5" NSF listed black swivel casters, 2 with locks
- Six foot cord and plug

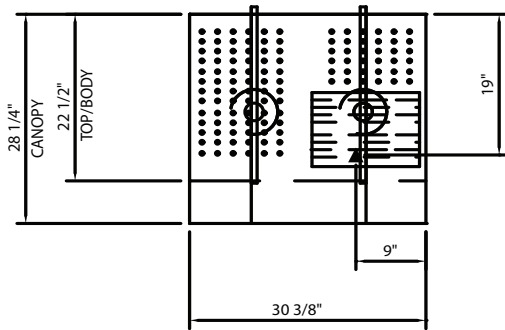
#### CANOPY:

- Clearly plexiglass food shield
- (2) bullet heat lamps - 250 watts each
- (2) stainless steel posts

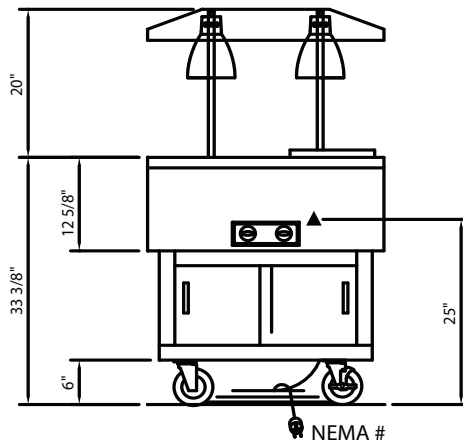
#### SHORT FORM SPECIFICATIONS:

**Duke EconoMate Buffet Units - Solid Top Units.** Beef Cart. Body shall be constructed of heavy gauge steel, painted in customer's choice of 12 powder coat paint finishes (see list above). Unit shall have a heavy gauge, 300 Series stainless steel top. Each unit includes easy-to-clean, clear Plexiglas canopy. Unit shall include carving board, removable au jus pan, and a spiked meat holder that swivels. A special perforated stainless steel platform shall cover the supplied aluminum spillage pan. Heat compartments with 12" x 20" top openings shall be insulated and have exposed electric elements controlled with infinite switch. Bases on all portable units shall be open or closed styles. Portable units shall be mounted on 5" NSF listed swivel casters, two with locks. When ordering storage bases, precede model number with "O" for Open Base or "D" for closed base with doors. Example: OPAH-2-BC.

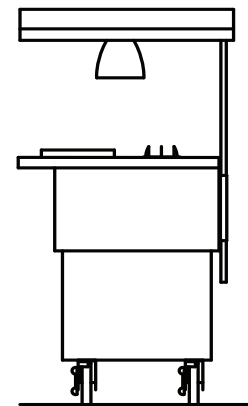
# EconoMate®



TOP VIEW



FRONT VIEW



SIDE VIEW

**MODEL:**  
EconoMate Buffet Units  
Beef Cart

- DPAH-2-BC Portable Beef Cart Unit - Closed Base
- OPAH-2-BC Portable Beef Cart Unit - Open Base
- TAH-2-BC Table Top Beef Cart Unit

LEGEND
▲ - ELECTRICAL CONNECTION
When ordering storage bases, precede model number with "O" for Open Base or "D" for closed base with doors. Example: <b>OPAH-2-BC</b> for open base unit.

DIMENSIONS:

FREIGHT CLASS: 100

Model	Length		Width		Height		Cube ft. Crated	Weight		Top Openings
	in.	cm	in.	cm	in.	cm		lbs.	kg	
DPAH-2-BC	30-3/8	77.2	22-1/2	57.2	33-3/8	84.8	23.1	285	129.6	2
OPAH-2-BC	30-3/8	77.2	22-1/2	57.2	33-3/8	84.8	23.1	289	131.4	2
TAH-2-BC	30-3/8	77.2	22-1/2	57.2	13-5/8	34.7	12.1	215	97.7	2

DIMENSIONS:

Model	120 Volt			208 Volt			240 Volt		
	watts	amps	NEMA	watts	amps	NEMA	watts	amps	NEMA
DPAH-2-BC	1500	12.5	5-15	2000	9.6	L14-30	2000	8.3	L14-30
OPAH-2-BC	1500	12.5	5-15	2000	9.6	L14-30	2000	8.3	L14-30
TAH-2-BC	1500	12.5	5-15	2000	9.6	L14-30	2000	8.3	L14-30

**DUKE MANUFACTURING CO.**  
2305 N. Broadway  
St. Louis, MO 63102



800.735.3853 Toll Free  
800.231.1130 In Missouri  
314.231.5074 Fax  
www.dukemfg.com

Specification subject to change

01/10  
Printed in U.S.A  
© 2010, Duke Manufacturing Co.