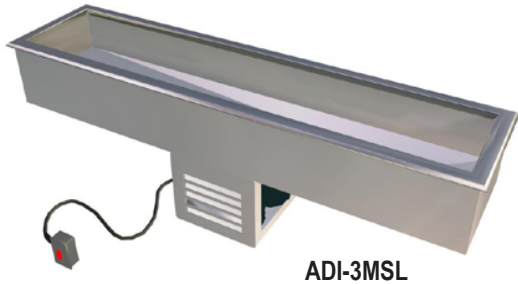




# Specifications

F.O.B Sedalia, Missouri 65301



ADI-3MSL

**OPTIONS:**

- Condensate Evaporator - **COND-EVAP**
- 220V - 50Hz compressor
- Hot food style top - **HFST**
- Stainless steel louvered grille
- False Bottom - **FB**
- Glass display shelves - **98x Series**
- Buffet shelves - **83x, 93xFL, 93xHT, 93xBL**
- Serving shelves - **956/956-460 - x Series**
- Self-service canopies - **TS530-xx, TS530-xx-1SN**
- Stainless steel adapter panels - **J & K**
- Adapter bars - **513, 516, 517**

**AGENCY LISTING:**



**DUKE MANUFACTURING CO.**  
 2305 N. Broadway  
 St. Louis, MO 63102

**800.735.3853 Toll Free**  
**314.231.5074 Fax**  
**www.dukemfg.com**

**Approval Stamp(s):**

**PRODUCT INFORMATION:**

PROJECT: \_\_\_\_\_  
 ITEM: \_\_\_\_\_  
 QUANTITY: \_\_\_\_\_

**MODEL:**

**Drop-Ins - Slimline - Cold Pan  
 Mechanically Assisted Ice Pan - 5" Deep**

- ADI-2MSL** (2) 5" Deep 12" x 20" pan
- ADI-3MSL** (3) 5" Deep 12" x 20" pan

**TOP RIM:**

- Heavy gauge, 300 Series stainless steel
- Overhang on all four sides
- Reinforced with heavy gauge steel angle
- Vinyl foam gasket as sealant

**LINER:**

- 300 Series stainless steel cold pan
- 5" deep 11-7/8" front to back
- 1" cast brass drain and plug
- Adapter bars for full size pans included

**REFRIGERATION:**

- Copper coils attached to bottom of liner - R134A refrigerant
- Air cooled condensing unit, in center of unit
- Open angle-iron suspended compressor compartment
- Remote mounted on/off switch with stainless steel face plate
- 120V condensing unit
- 6' cord and plug - NEMA 5-15
- Five year warranty on compressor motor

**EXTERIOR HOUSING**

- Heavy gauge paint grip steel

**SHORT FORM SPECIFICATIONS:**

**Duke Drop-Ins - Slimline - Cold Pan - Mechanically Assisted Ice - 5" Deep.** Top rim shall have overhang on all four sides and be reinforced with heavy gauge steel angle with vinyl foam gasket as sealant with top surface. Top to be cut out, flanged down and attached to heavy gauge 300 Series stainless steel interior liner, 5" deep. Liner to be 11-7/8" front to back and 6" shorter than length of top. Insulated on all four sides and bottom. Equipped with 1" cast brass drain and plug. Adapter bars for full size pans furnished. Unit refrigerated by copper coils attached to bottom only of stainless steel liner. Compressor compartment located in center of unit, to have open angle-iron base to support air cooled condensing unit of adequate size. Remote mounted on/off switch and cord with plug provided. Entire unit factory tested, with five year warranty on compressor motor only. Exterior constructed of heavy gauge steel. Cutout for remote on/off switch to be 4-1/8"H x 2-3/16"W

DROP-IN - SLIMLINE - COLD PAN - MECHANICALLY ASSISTED - 5" DEEP

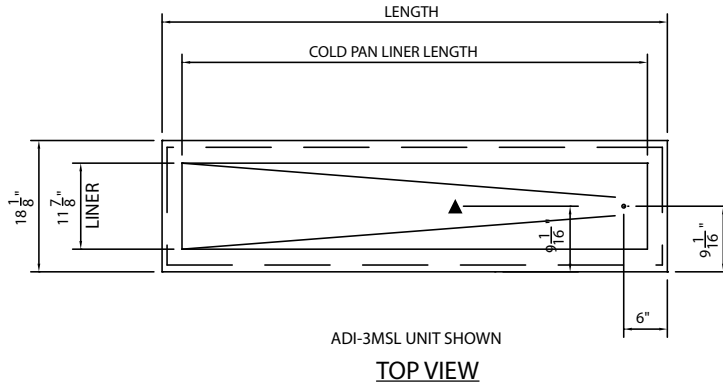
Catalog No. SLIMMECHS

A.I.A. File No. 35-C-13

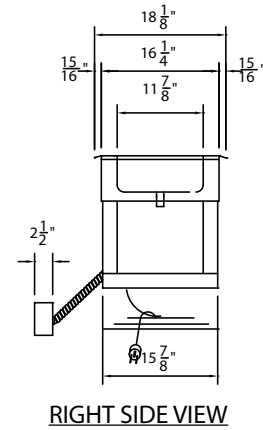
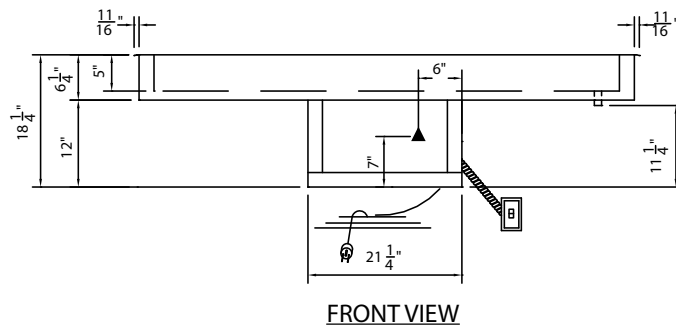


**MODEL:**  
**Drop-Ins - Slimline - Cold Pan**  
**Mechanically Assisted Ice Pans- 5" Deep**

- ADI-2MSL (2) 5" Deep 12" x 20" pans
- ADI-3MSL (3) 5" Deep 12" x 20" pans



LEGEND	
▲	- ELECTRICAL CONNECTION
●	- DRAIN CONNECTION



**DIMENSIONS** - Liners are 11-7/8" (30.3 cm) W; cutouts 16-3/4" (42.3cm) W

FREIGHT CLASS: 100

Model	Length		Width		Height		Cube ft crated	Adapter Bars	Weight		Cold Pan - L		Cutout - L	
	in.	cm	in.	cm	in.	cm			in.	cm	in.	cm	in.	cm
ADI-2MSL	48-1/4	122.6	18	45.7	18-1/4	46.4	18.1	1	155	70.5	42-1/4	107.3	48	121.9
ADI-3MSL	70-1/4	178.4	18	45.7	18-1/4	46.4	25.5	2	205	93.2	64-1/4	163.2	70	178.0

REMOTE CONTROL CUTOUT IS 4-1/8" H X 2-3/16" W

**ELECTRICAL SPECIFICATIONS**

Model	120 Volt	
	Amps	HP
ADI-2MSL	4.2	1/5
ADI-3MSL	4.2	1/5



**DUKE MANUFACTURING CO.**  
 2305 N. Broadway  
 St. Louis, MO 63102  
 800.735.3853 Toll Free  
 800.231.1130 In Missouri  
 314.231.5074 Fax  
 www.dukemfg.com

Specification subject to change

01/10  
 Printed in U.S.A  
 © 2010, Duke Manufacturing Co.