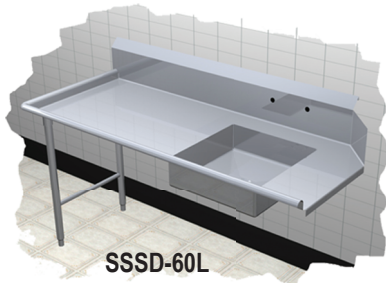




Specifications

F.O.B Sedalia, Missouri 65301



SSSD-60L

MODIFICATIONS:

- 12" X 15" disp. control bracket w/V.B. holes in splash - **SK-63**
- Installation of disposer collar (collar by others) - **SK-15**
- Flanged feet - **SK-19**
- Stainless steel welded leg assembly (H-frame) - units 120" and longer to have 2 - **SK-22**
- Scrap block installed - **SK-34**
- Stainless steel sink cover - **SK-13**
- Stainless steel perforated basket with welded slide rail - **SK-57**
- Stainless steel welded lengthwise crossrail - **SK-58**
- Stainless steel rack slide - **SK-59**
- 5" x 7" disp. switch bracket w/V.B holes in splash - **SK-62**
- 18 gauge stainless steel removable undershelf - **SK-18**

- | | |
|------------------------------------|------------------------------------|
| <input type="checkbox"/> DTUDSS-18 | <input type="checkbox"/> DTUDSS-54 |
| <input type="checkbox"/> DTUDSS-24 | <input type="checkbox"/> DTUDSS-66 |
| <input type="checkbox"/> DTUDSS-30 | |
| <input type="checkbox"/> DTUDSS-42 | |

SPECIAL MODIFICATIONS

Special modification may be added. Consult Accessories and Modifications specification sheet.

AGENCY LISTING:



DUKE MANUFACTURING CO.
 2305 N. Broadway
 St. Louis, MO 63102

800.735.3853 Toll Free
 314.231.1130 In Missouri
 314.231.5074 Fax
 www.dukemfg.com

Approval Stamp(s):

PRODUCT INFORMATION:

PROJECT: _____

ITEM: _____

QUANTITY: _____

MODEL:

Duke Dishtables - Straight Soil

<u>Supreme / 14 ga</u>	<u>Deluxe / 16 ga</u>	<u>Length</u>
<input type="checkbox"/> SSSD-36 L or R	<input type="checkbox"/> DSSD-36 L or R	36" length unit
<input type="checkbox"/> SSSD-48 L or R	<input type="checkbox"/> DSSD-48 L or R	48" length unit
<input type="checkbox"/> SSSD-60 L or R	<input type="checkbox"/> DSSD-60 L or R	60" length unit
<input type="checkbox"/> SSSD-72 L or R	<input type="checkbox"/> DSSD-72 L or R	72" length unit
<input type="checkbox"/> SSSD-96 L or R	<input type="checkbox"/> DSSD-96 L or R	96" length unit
<input type="checkbox"/> SSSD-120 L or R	<input type="checkbox"/> DSSD-120 L or R	120" length unit

L - Left side of dishwasher / R - Right side of dishwasher

Supreme - Straight - Soil - Dishtable

TOP:

- 14 gauge, 300 Series stainless steel
- 1-1/4" rolled rim - 2-1/2" high on front and side
- 10" rear splash - turned up 8", returned to wall
- 2" high on 45° angle with 1" turn down

BOWL:

- 14 gauge, 300 Series stainless steel
- 20-1/2" x 20-1/2" x 5" deep

UNDERBRACING:

- 12 gauge angle on 24" centers

LEGS:

- 16 gauge stainless steel - 1-5/8" OD tubing
- Stainless steel gusset
- 1" adjustable stainless steel bullet feet

CROSSRAILS:

- 16 gauge stainless steel - 1-1/4" OD tubing
- Welded to legs

Deluxe - Straight - Soil - Dishtable

TOP:

- 16 gauge, 300 Series stainless steel
- 1-1/4" rolled rim - 2-1/2" high on front and side
- 10" rear splash - turned up 8", returned to wall
- 2" high on 45° angle with 1" turn down

BOWL:

- 16 gauge, 300 Series stainless steel
- 20-1/2" x 20-1/2" x 5" deep

UNDERBRACING:

- 12 gauge angle on 24" centers

LEGS:

- 16 gauge stainless steel - 1-5/8" OD tubing
- Stainless steel gusset
- 1" adjustable stainless steel bullet feet

CROSSRAILS:

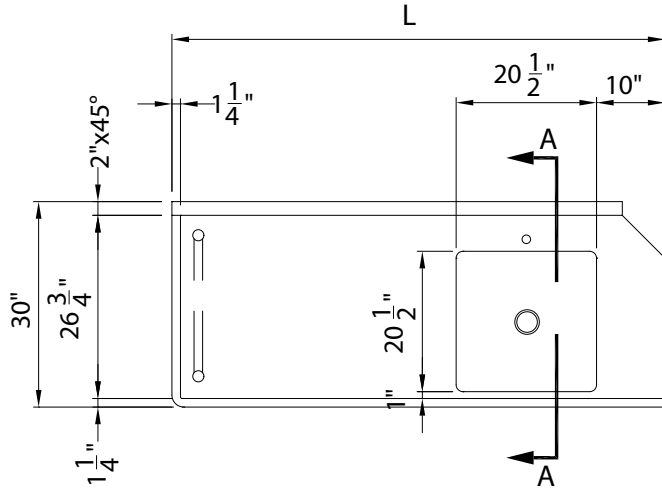
- 16 gauge stainless steel - 1-1/4" OD tubing
- Welded to legs

Aerohot®

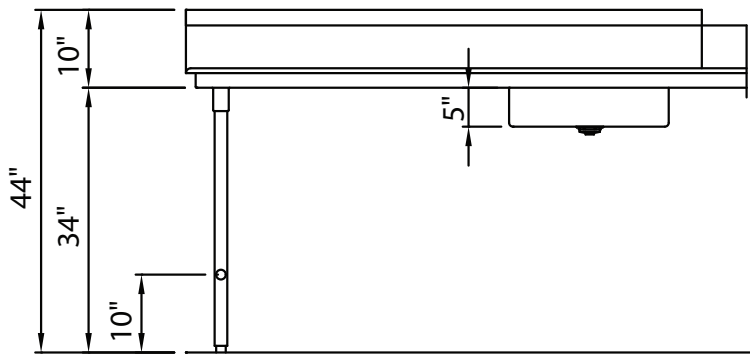
DUKE DISHTABLES - SOIL - STRAIGHT

- | Supreme / 14 ga | Deluxe / 16 ga | Length |
|--|--|------------------|
| <input type="checkbox"/> SSSD-36 L or R | <input type="checkbox"/> DSSD-36 L or R | 36" length unit |
| <input type="checkbox"/> SSSD-48 L or R | <input type="checkbox"/> DSSD-48 L or R | 48" length unit |
| <input type="checkbox"/> SSSD-60 L or R | <input type="checkbox"/> DSSD-60 L or R | 60" length unit |
| <input type="checkbox"/> SSSD-72 L or R | <input type="checkbox"/> DSSD-72 L or R | 72" length unit |
| <input type="checkbox"/> SSSD-96 L or R | <input type="checkbox"/> DSSD-96 L or R | 96" length unit |
| <input type="checkbox"/> SSSD-120 L or R | <input type="checkbox"/> DSSD-120 L or R | 120" length unit |

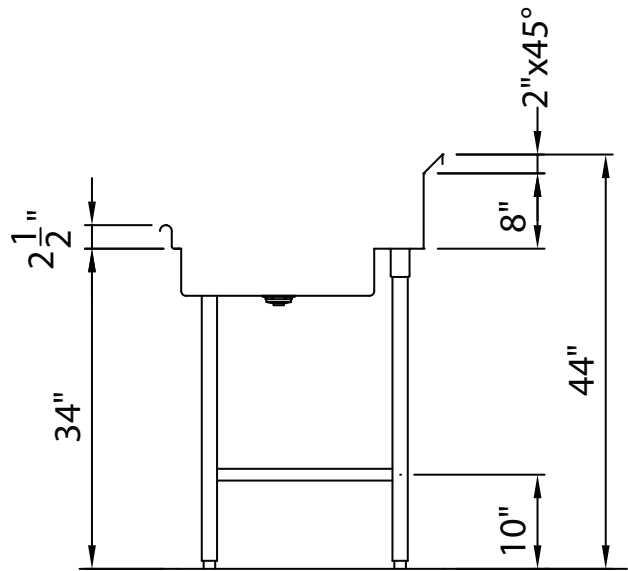
L - Left side of dishwasher / R - Right side of dishwasher



TOP VIEW



FRONT VIEW



SECTION A

DIMENSIONS:

Freight Class: 85

Model	"L" Size		Width (front to back)		Height		Cube ft. Crated	Weight	
	in.	cm	in.	cm	in.	cm		lbs.	kg
SSSD-36 L or R / DSSD-36 L or R	36	91.4	30	76.2	34	86.4	34.7	70	31.8
SSSD-48 L or R / DSSD-48 L or R	48	121.9	30	76.2	34	86.4	44.6	85	38.6
SSSD-60 L or R / DSSD-60 L or R	60	152.4	30	76.2	34	86.4	54.6	100	45.5
SSSD-72 L or R / DSSD-72 L or R	72	182.9	30	76.2	34	86.4	64.5	115	52.3
SSSD-96 L or R / DSSD-96 L or R	96	243.8	30	76.2	34	86.4	84.3	135	61.4
SSSD-120 L or R / DSSD-120 L or R	120	304.8	30	76.2	34	86.4	104.1	185	84.1



DUKE MANUFACTURING CO.
 2305 N. Broadway
 St. Louis, MO 63102

800.735.3853 Toll Free
 800.231.1130 In Missouri
 314.231.5074 Fax
www.dukemfg.com

Specification subject to change