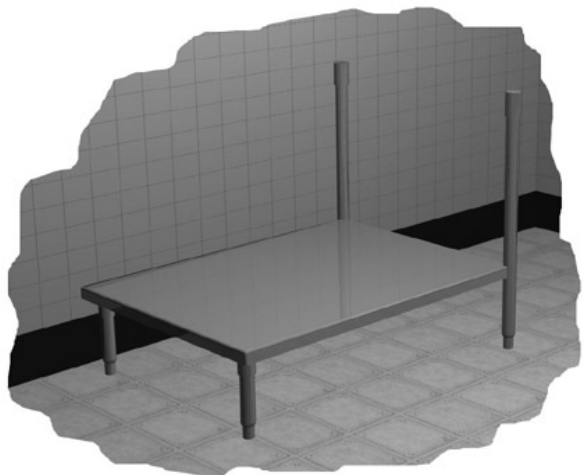




# Specifications

F.O.B Sedalia, Missouri 65301



**DTUDSS-42**  
Removable Undershelf

Approval Stamp(s):

**PRODUCT INFORMATION:**

PROJECT: \_\_\_\_\_

ITEM: \_\_\_\_\_

QUANTITY: \_\_\_\_\_

**MODEL:**

Duke Dishtables - Removable Undershelves

- DTUDSS - 18      18" length unit
- DTUDSS - 24      24" length unit
- DTUDSS - 30      30" length unit
- DTUDSS - 42      42" length unit
- DTUDSS - 54      54" length unit
- DTUDSS - 66      66" length unit

**SHELF:**

- 18 gauge, 300 Series stainless steel

**LEGS:**

- 1-5/8" OD tubing
- 10" high
- 1" adjustable stainless steel bullet feet

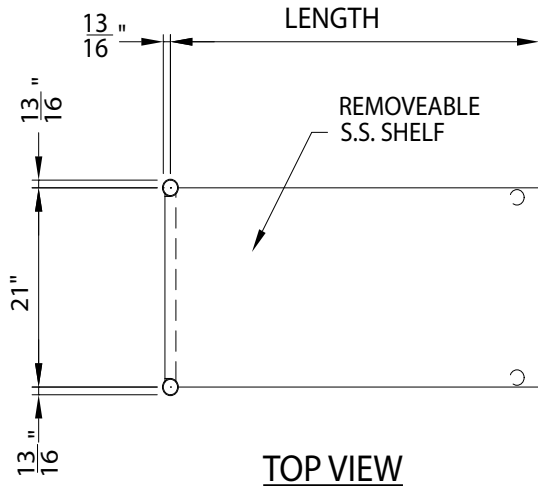
**AGENCY LISTING:**



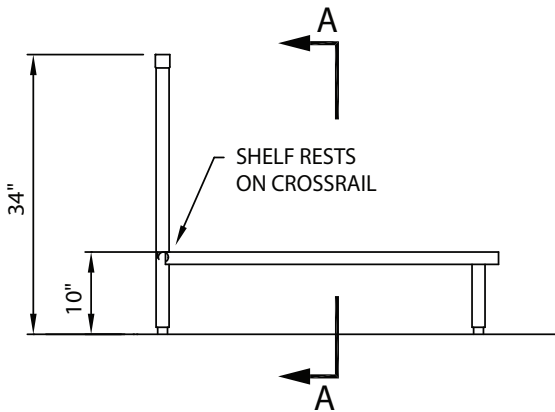
**DUKE MANUFACTURING CO.**  
2305 N. Broadway  
St. Louis, MO 63102

800.735.3853 Toll Free  
314.231.1130 In Missouri  
314.231.5074 Fax  
www.dukemfg.com

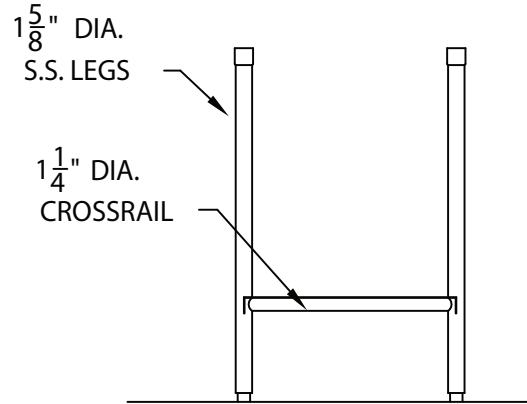
# Aerohot®



**TOP VIEW**



**FRONT VIEW**



**SECTION A**

**DUKE DISHTABLES  
REMOVABLE UNDERSHELVES**

- DTUDSS - 18      18" length unit
- DTUDSS - 24      24" length unit
- DTUDSS - 30      30" length unit
- DTUDSS - 42      42" length unit
- DTUDSS - 54      54" length unit
- DTUDSS - 66      66" length unit

**Removable Undershelves**

**Freight Class: 85**

Model	Length		Width		Cube ft. Crated
	in.	cm	in.	cm	
DTUDSS-18	18	45.7	15	6.8	2.5
DTUDSS-24	24	61.0	18	8.2	2.5
DTUDSS-30	30	76.2	24	10.9	2.5
DTUDSS-42	42	106.7	33	15.0	3.5
DTUDSS-54	54	137.2	42	19.1	3.5
DTUDSS-66	66	167.6	50	22.7	4.5



**DUKE MANUFACTURING CO.**  
2305 N. Broadway  
St. Louis, MO 63102

800.735.3853 Toll Free  
800.231.1130 In Missouri  
314.231.5074 Fax  
www.dukemfg.com

Specification subject to change

01/10  
Printed in U.S.A  
© 2010, Duke Manufacturing Co.