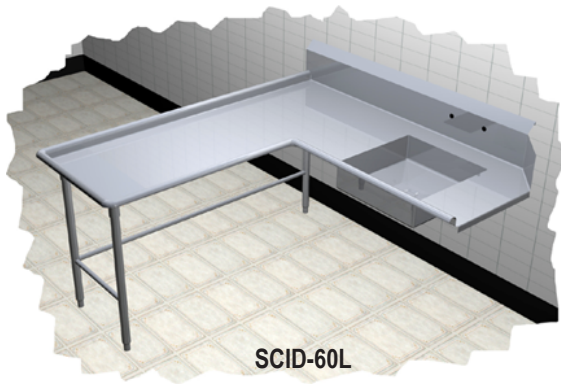




# Specifications

F.O.B Sedalia, Missouri 65301



SCID-60L

### MODIFICATIONS:

- Flanged feet - **SK-19**
- Install Booster Heater Brackets (bracket not included) - **SK-27**
- Stainless steel welded leg assembly (H-frame) units 120" and longer to have 2 - **SK-22**
- Stainless steel welded lengthwise crossrail - **SK-58**
- 18 gauge stainless steel removable undershelf - **SK-18**

- DTUDSS-18                       DTUDSS-54
- DTUDSS-24                       DTUDSS-66
- DTUDSS-30
- DTUDSS-42

### SPECIAL MODIFICATIONS:

Special modification may be added. Consult Accessories and Modifications specification sheet.

### AGENCY LISTING:



**DUKE MANUFACTURING CO.**  
2305 N. Broadway  
St. Louis, MO 63102

800.735.3853 Toll Free  
314.231.1130 In Missouri  
314.231.5074 Fax  
www.dukemfg.com

**Approval Stamp(s):**

### PRODUCT INFORMATION:

PROJECT: \_\_\_\_\_  
ITEM: \_\_\_\_\_  
QUANTITY: \_\_\_\_\_

### MODEL:

**Duke Dishables - Island Clean**

| <u>Supreme / 14 ga</u>                   | <u>Deluxe / 16 ga</u>                    | <u>Length</u>    |
|--|--|------------------|
| <input type="checkbox"/> SICD-48 L or R  | <input type="checkbox"/> DICD-48 L or R  | 48" length unit  |
| <input type="checkbox"/> SICD-60 L or R  | <input type="checkbox"/> DICD-60 L or R  | 60" length unit  |
| <input type="checkbox"/> SICD-72 L or R  | <input type="checkbox"/> DICD-72 L or R  | 72" length unit  |
| <input type="checkbox"/> SICD-96 L or R  | <input type="checkbox"/> DICD-96 L or R  | 96" length unit  |
| <input type="checkbox"/> SICD-120 L or R | <input type="checkbox"/> DICD-120 L or R | 120" length unit |

L - Left side of dishwasher / R - Right Side of dishwasher

### Supreme - Island - Clean - Dishable

#### TOP:

- 14 gauge, 300 Series stainless steel
- 1-1/4" rolled rim - 2-1/2" high on front and side
- 10" rear splash - turned up 8", returned to wall
- 2" high on 45° angle with 1" turn down

#### UNDERBRACING:

- 12 gauge angle on 24" centers

#### LEGS:

- 16 gauge stainless steel - 1-5/8" OD tubing
- Stainless steel gusset
- 1" adjustable stainless steel bullet feet

#### CROSSRAILS:

- 16 gauge stainless steel - 1-1/4" OD tubing
- Welded to legs

### Deluxe - Island - Clean - Dishable

#### TOP:

- 16 gauge, 300 Series stainless steel
- 1-1/4" rolled rim - 2-1/2" high on front and side
- 10" rear splash - turned up 8", returned to wall
- 2" high on 45° angle with 1" turn down

#### UNDERBRACING:

- 12 gauge angle on 24" centers

#### LEGS:

- 16 gauge stainless steel - 1-5/8" OD tubing
- Stainless steel gusset
- 1" adjustable stainless steel bullet feet

#### CROSSRAILS:

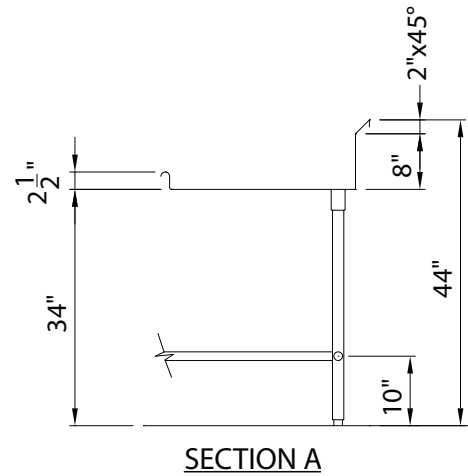
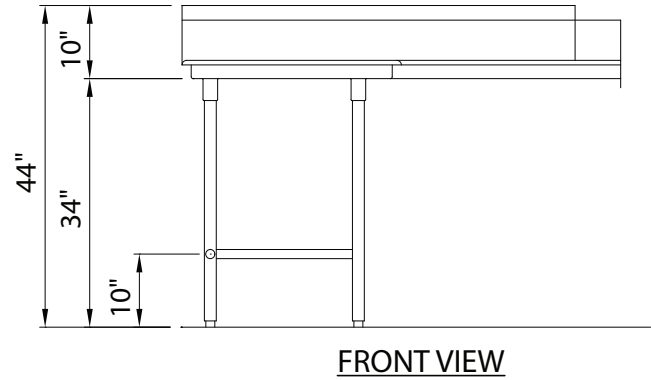
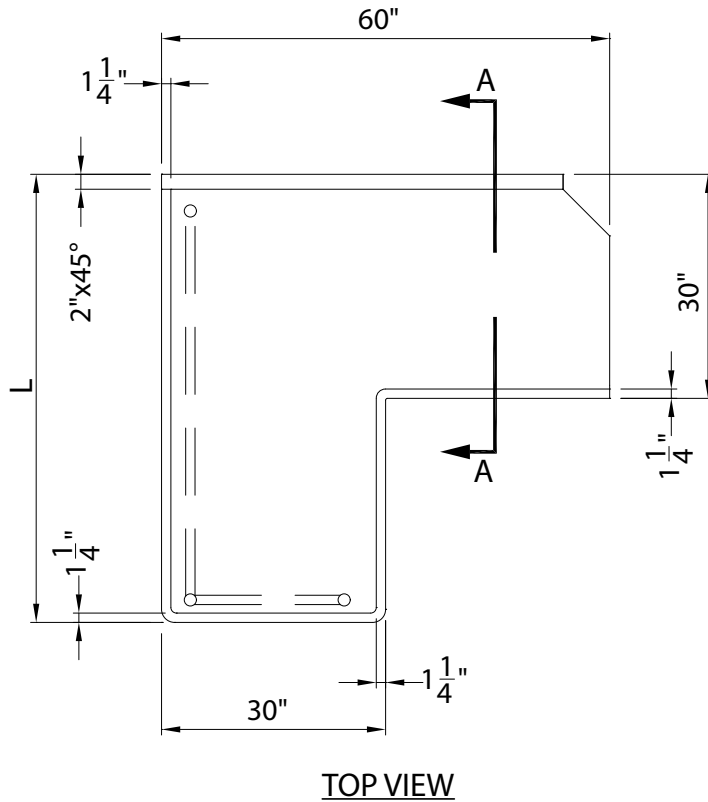
- 16 gauge stainless steel - 1-1/4" OD tubing
- Welded to legs



**DUKE DISHTABLES - ISLAND - CLEAN**

| <u>Supreme / 14 ga</u>   |                 | <u>Deluxe / 16 ga</u>    |                 | <u>Length</u>    |
|--------------------------|-----------------|--------------------------|-----------------|------------------|
| <input type="checkbox"/> | SICD-48 L or R  | <input type="checkbox"/> | DICD-48 L or R  | 48" length unit  |
| <input type="checkbox"/> | SICD-60 L or R  | <input type="checkbox"/> | DICD-60 L or R  | 60" length unit  |
| <input type="checkbox"/> | SICD-72 L or R  | <input type="checkbox"/> | DICD-72 L or R  | 72" length unit  |
| <input type="checkbox"/> | SICD-96 L or R  | <input type="checkbox"/> | DICD-96 L or R  | 96" length unit  |
| <input type="checkbox"/> | SICD-120 L or R | <input type="checkbox"/> | DICD-120 L or R | 120" length unit |

L - Left side of dishwasher / R - Right Side of dishwasher



**DIMENSIONS:**

Freight Class: 85

| Model                             | "L" Size |       | Width (front to back) |      | Height |      | Cube ft. Crated | Weight |       |
|-----------------------------------|----------|-------|-----------------------|------|--------|------|-----------------|--------|-------|
|                                   | in.      | cm    | in.                   | cm   | in.    | cm   |                 | lbs.   | kg    |
| SICD-48 L or R / DICD-48 L or R   | 48       | 121.9 | 30                    | 76.2 | 34     | 86.4 | 44.6            | 145    | 65.9  |
| SICD-60 L or R / DICD-60 L or R   | 60       | 152.4 | 30                    | 76.2 | 34     | 86.4 | 54.6            | 165    | 75.0  |
| SICD-72 L or R / DICD-72 L or R   | 72       | 182.9 | 30                    | 76.2 | 34     | 86.4 | 64.5            | 190    | 86.4  |
| SICD-96 L or R / DICD-96 L or R   | 96       | 243.8 | 30                    | 76.2 | 34     | 86.4 | 84.3            | 215    | 97.7  |
| SICD-120 L or R / DICD-120 L or R | 120      | 304.8 | 30                    | 76.2 | 34     | 86.4 | 104.1           | 265    | 120.5 |



**DUKE MANUFACTURING CO.**  
 2305 N. Broadway  
 St. Louis, MO 63102

800.735.3853 Toll Free  
 800.231.1130 In Missouri  
 314.231.5074 Fax  
[www.dukemfg.com](http://www.dukemfg.com)

Specification subject to change