

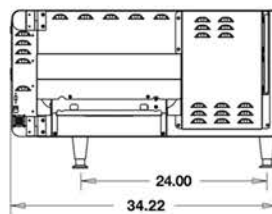
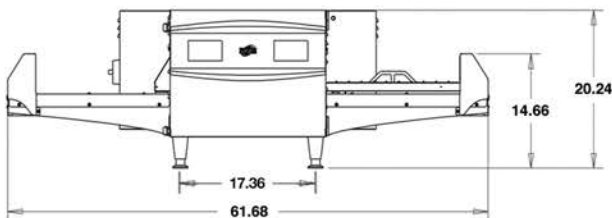
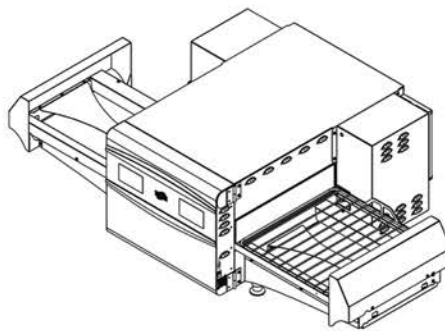
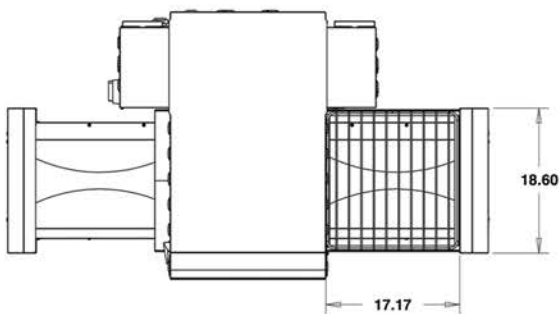


## Ovention® Matchbox® 1718 Specifications

**Height:** 20.24"  
**Width:** 61.68"  
**Depth:** 34.47"  
**Oven Weight:** 228 lbs.  
**Power:** Single Phase 60 Hz  
**Operating Voltage:** 208V / 240V  
**Max Current Draw:** 44A / 49A  
**Plug:** NEMA 6-50P  
**Cord Length:** 72"

**Ventilation:**  
 UL 710B (KNLZ) listed  
 for ventless operation\*  
 EPA 202 test (8 hr.)  
**Product:** Pepperoni Pizza  
**Results:** 0.49 mg/m3  
 Internal catalytic filtration to limit  
 smoke, grease, and odor emissions

**Shipping:**  
**Freight Class:** 100  
**Cube:** 68 x 41 x 30  
**Shipping Weight:** 312 lbs.  
**FOB:** Sturgeon Bay, Wisconsin



\*Foods classified as fatty raw proteins, such as bone-in, skin-on chicken, raw hamburger meat, raw bacon, raw sausage, or steaks, are not included under this ventless certification. Consult local HVAC codes and authorities before cooking foods such as these, to ensure compliance with ventilation requirements. Because some jurisdictions may not recognize the UL certification or application, ventless allowance is dependent upon AHJ approval. Ovention Hotshots will provide support on this process.

### OVENTION, INC.

10500 Metric Drive, Suite 128 · Dallas, Texas 75243 · 972.239.2000  
[www.OventionOvens.com](http://www.OventionOvens.com) · [connect@OventionOvens.com](mailto:connect@OventionOvens.com)