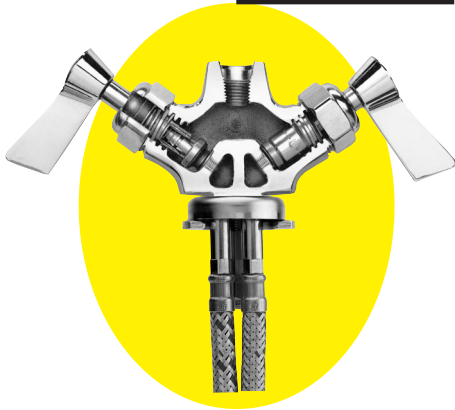


Why Fisher?...

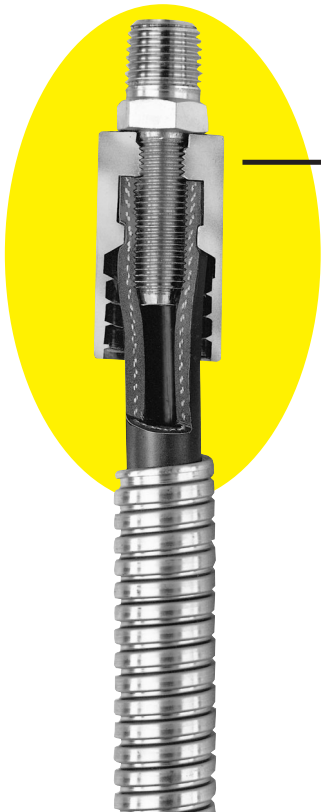
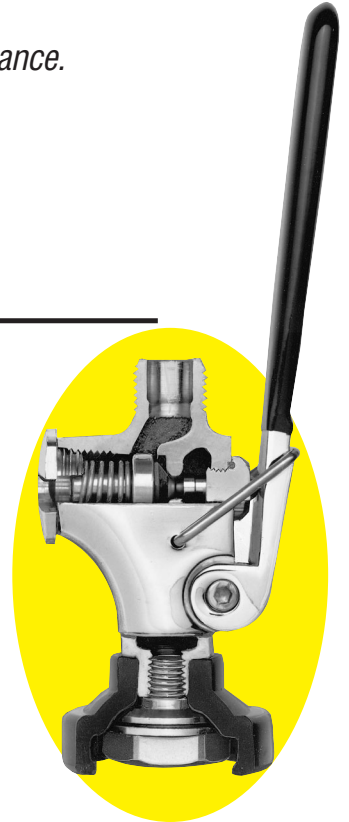


FAUCETS

- *Stainless Steel Seats Guaranteed for Life.*
- *Two Part Swivel Stems for Lower Maintenance.*

PRE-RINSE SPRAY VALVES

- *Solid Brass Shower Head – No “O” Rings to leak.*
- *Bronze Handle – not plastic – Means Full ON.*
- *Fits ALL Brands*

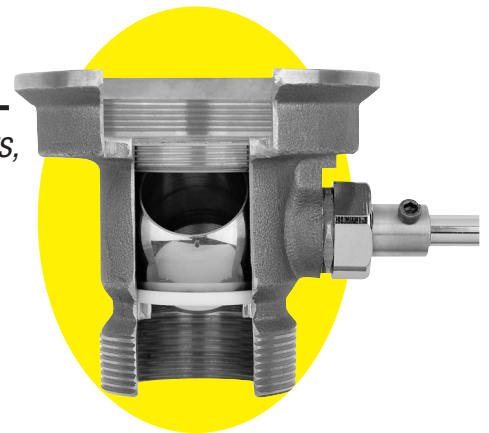


PRE-RINSE HOSES

- *Three Ply “Aircraft” Hydraulic Hose.*
- *Lasts three times longer.*
- *Fits ALL Brands*

DRAINING™

- *Stainless Steel Only Where it Counts, Means Value.*
- *Two TEFLON® Seals – instead of one – Means NO Leaks.*
- *Guaranteed for Three Years.*



FISHER

FISHER MANUFACTURING COMPANY
PO Box 60 • Tulare, CA 93275 USA
1-800-421-6162 • www.fisher-mfg.com