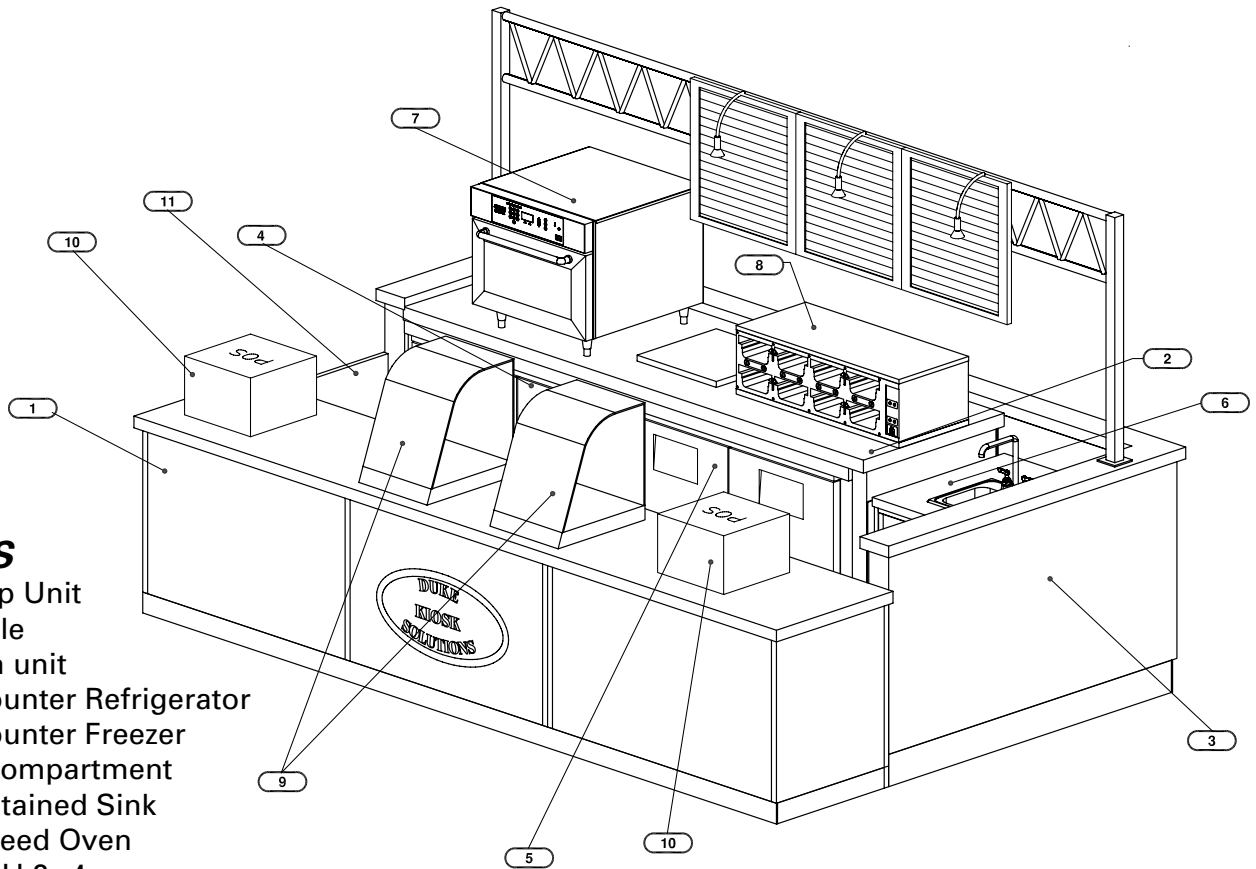


# DUKE KIOSK SOLUTIONS

*Duke Helps Convenience Stores Produce, Hold and Serve  
Quality Products Straight from the Freezer*



## **FEATURES**

- 1 – Solid Top Unit
- 2 – Worktable
- 3 – Skeleton unit
- 4 – Undercounter Refrigerator
- 5 – Undercounter Freezer
- 6 – Single Compartment  
Self Contained Sink
- 7 – Duke Speed Oven
- 8 – Duke PHU 2x4
- 9 – 900 watt Warmer Merchandiser
- 10 – POS System
- 11 – Double Swing Gate

Duke provides efficient means to serve quality food items via small foot print kiosk solutions. With extensive knowledge in operational equipment design and manufacture, Duke can tailor solutions to

- Meet your specific foodservice requirements
- Reduce food waste, helping to drive cost savings
- Increase food-holding times
- Provide the fastest cook and preparation times

*Your Solutions Partner*



# OTHER PRODUCTS FROM DUKE



FABRICATION



COOKING

SERVING LINES



QUICK SERVE COUNTERS



PRODUCT HOLDING



FOOD WARMING



## Duke Manufacturing Co.

2305 N. Broadway  
St. Louis, MO 63102  
Toll Free: 800-735-3853 • Phone: 314-231-1130  
[www.dukemfg.com](http://www.dukemfg.com)

### *For inquiry or order assistance contact:*

Bob Booker  
800-735-3853 ext. 355

© Duke Manufacturing Co. 2008  
DUKEKIOSK08